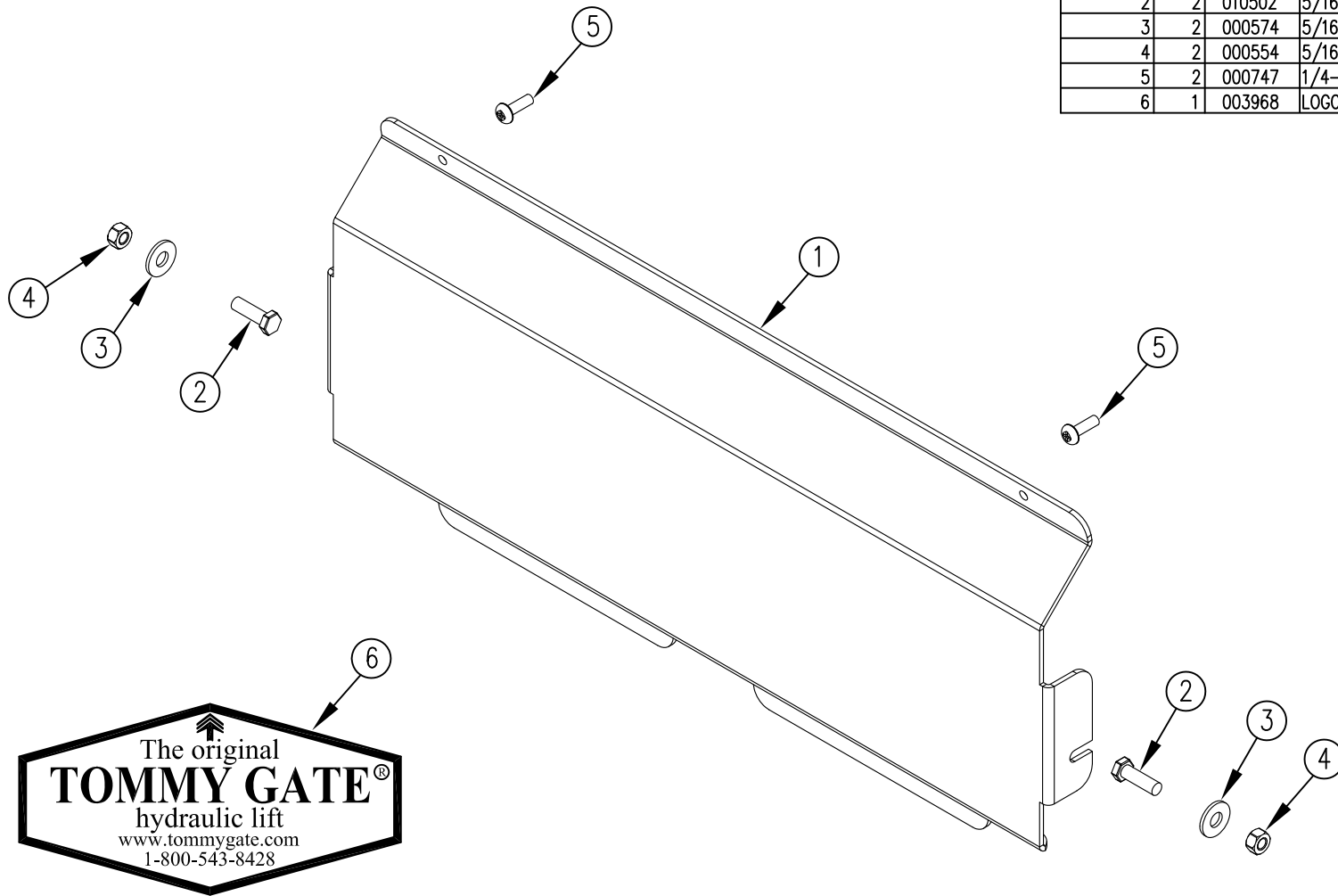


ITEM NO.	QTY.	PART NO.	DESCRIPTION
1	1	010026	UPPER PLATFORM COVER (CANTILEVER)
2	2	010502	5/16-18X1" HHCS GR5
3	2	000574	5/16 FLAT WASHER ZP
4	2	000554	5/16-18 GR5 NUT (ZINC)
5	2	000747	1/4-20 x 3/4 TYPE F PH PAN HD SCREW
6	1	003968	LOGO-"ORIGINAL TOMMY GATE" DECAL



				THIRD ANGLE PROJECTION 			FILENAME:		WOODBINE MFG. CO. BUS BROWN DRIVE WOODBINE, IOWA 51579			
				DECIMAL 2PLC 3PLC			SYMBOLY PER ANSI Y14.5		NOTES:			
				MACHINE SAW, DRILL .030 .015			DRAWN BY: JCB		712-647-2050			
				SHEAR, PUNCH FORM .060 .030			DRAWN/DATE 11/21/11		THE INFORMATION HERE IS CONFIDENTIAL AND MUST NOT BE USED IN ANYWAY DETRIMENTAL TO THE INTEREST OF WOODBINE MFG.			
				TORCH, WELDING ROUGH CAST .090 .060			APPVD/DATE		TITLE REPLACEMENT UPPER PLATFORM COVER (CANTILEVER)			
REV.	DATE	CHANGE RECORD	BY	APPVD	ECN	DRAFT 2'	ANGULAR ±1'	SALES CATEGORY	PRODUCT LINE	SCALE 1:4	FIN. WT.	PART NO. 11845