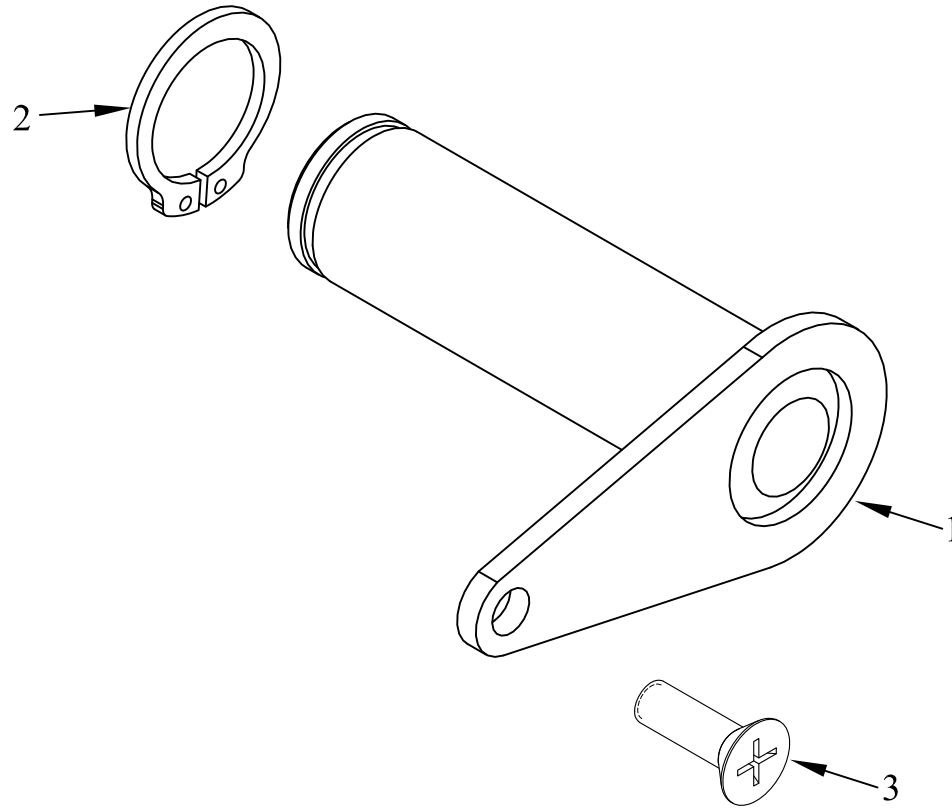


ITEM NO.	QTY.	PART NO.	DESCRIPTION
1	1	2052	G2 .88"DIA.x3.125" PIN w/KEEPER
2	1	2026	7/8" EXTERNAL SNAP RING(G2) PLATED
3	1	756	1/4-20x3/4" PH FH TYP F SS



						THIRD ANGLE PROJECTION	FILENAME:	WOODBINE MFG. CO. BUS BROWN DRIVE WOODBINE, IOWA 51579						
							SYMBOLY PER ANSI Y14.5	NOTES:						
						DECIMAL	2PLC	3PLC	DRAWN BY. DJR					
						MACHINE SAW, DRILL	.030	.015	DRAWN/DATE 6/23/05					
						SHEAR, PUNCH FORM	.060	.030	APPVD/DATE					
						TORCH, WELDING ROUGH CAST	.090	.060	TITLE G2 7/8" REPLACEMENT UPRIGHT BACK CYLINDER PIN					
REV.	DATE	CHANGE RECORD			BY	APPVD	ECN	DRAFT 2'	ANGULAR ±1'	SALES CATEGORY 45	PRODUCT LINE 8900	SCALE N	FIN. WT. 0.64	PART NO. 2180

THE INFORMATION HERE IS CONFIDENTIAL AND MUST NOT BE USED IN ANYWAY DETRIMENTAL TO THE INTEREST OF WOODBINE MFG.

