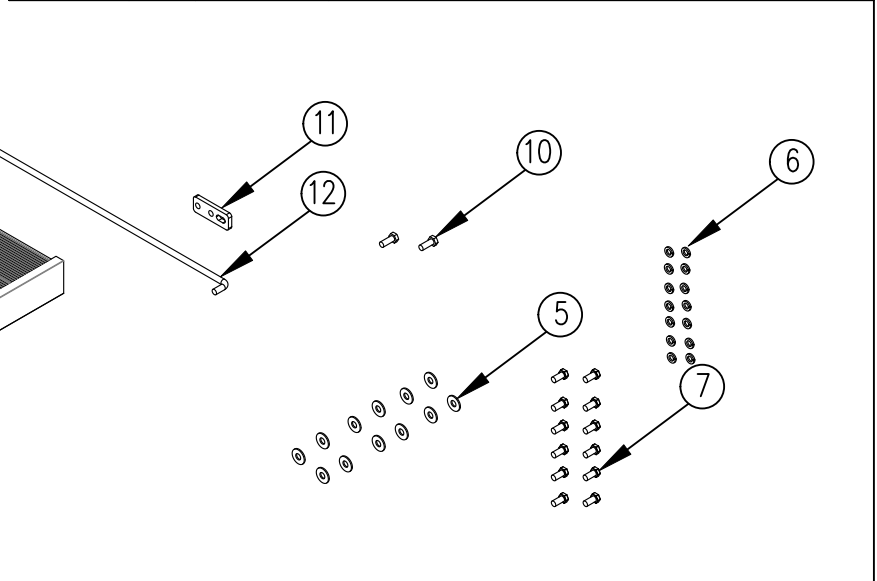
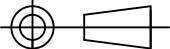



ITEM NO.	QTY.	PART NO.	DESCRIPTION
1	1	011637	30" EA MAIN PLATFORM(TUCKUNDER)
2	4	011644	.75"DIA.x17.75"SS EA HINGE PIN (TUCKUNDER)
3	6	011642	1.06"x1.25"x2.75" EA PLAFRM PIVOT HINGE (TKT)
4	8	011650	7/32"x1-1/4" SLOTTED SPRING PIN
5	12	000576	1/2" USS FLAT WASHER
6	14	000573	1/2" SPRING LOCK WASHER
7	12	000587	1/2-13x1" HHCS GR5
8	2	013060	PLATED EA OUTSIDE PLATFORM PIVOT HINGE
9	6	009023	2" LARGE BLACK PLUG
10	2	000521	1/2-13x1-1/4" HHCS GR5
11	1	013055	ZP EA SPRING CAPTURE PLATE(TKT)
12	1	013049	.50"EA FLIPPER SPRING(TUCKUNDER)
13	1	013697	ZINC PLATED EA TORSION SPRING SWIVEL
14	1	011656	5/8" X 1-1/4" SHOULDER BOLT- ZINC PLATED
15	1	000577	5/8" SAE THRU HARD WASHER
16	1	009506	DECAL SHEET-RAILGATE
17	1	095168	REPAIR TKT EA PLATFORM INSTRUCTIONS
18	1	095203	REPAIR TKT EA PLATFORM FLIPPER INSTRUCTIONS



NOTE: APPLY DECALS FROM 9506 SHEETS SAME AS PRODUCTION

REV.	DATE	CHANGE RECORD	BY	APPVD	ECN	THIRD ANGLE PROJECTION	DRAWN BY	NOTES:	SCALE	WEIGHT	PART NO.
C	2/19/20	ADDED (1) 577, 11656 WAS 13057	CDM		2432	THIRD ANGLE PROJECTION  UNLESS OTHERWISE SPECIFIED DIMENSIONS ARE IN INCHES TOLERANCES: FRACTIONAL ±1/16 ANGULAR MACH ±1° BEND ±1° TWO PLACE DECIMAL ±0.030 THREE PLACE DECIMAL ±0.010	GDB	WOODBINE MFG. CO. BUS BROWN DRIVE WOODBINE, IOWA 51579 	1:16	-	14335
B	4/6/16	UPDATED BOM TO MATCH PRODUCTION	GDB	1600	DRAWN/DATE						
A.1	3/25/15	BILL CORRECTIONS TO MATCH PRODUCTION	GDB		3/19/15						
A	3/19/15	RELEASED TO PRODUCTION	GDB	1348	APPVD/DATE		-				
							DO NOT SCALE DRAWING	TITLE	REPL. 30" EA MAIN PLATFORM (TUCKUNDER)		