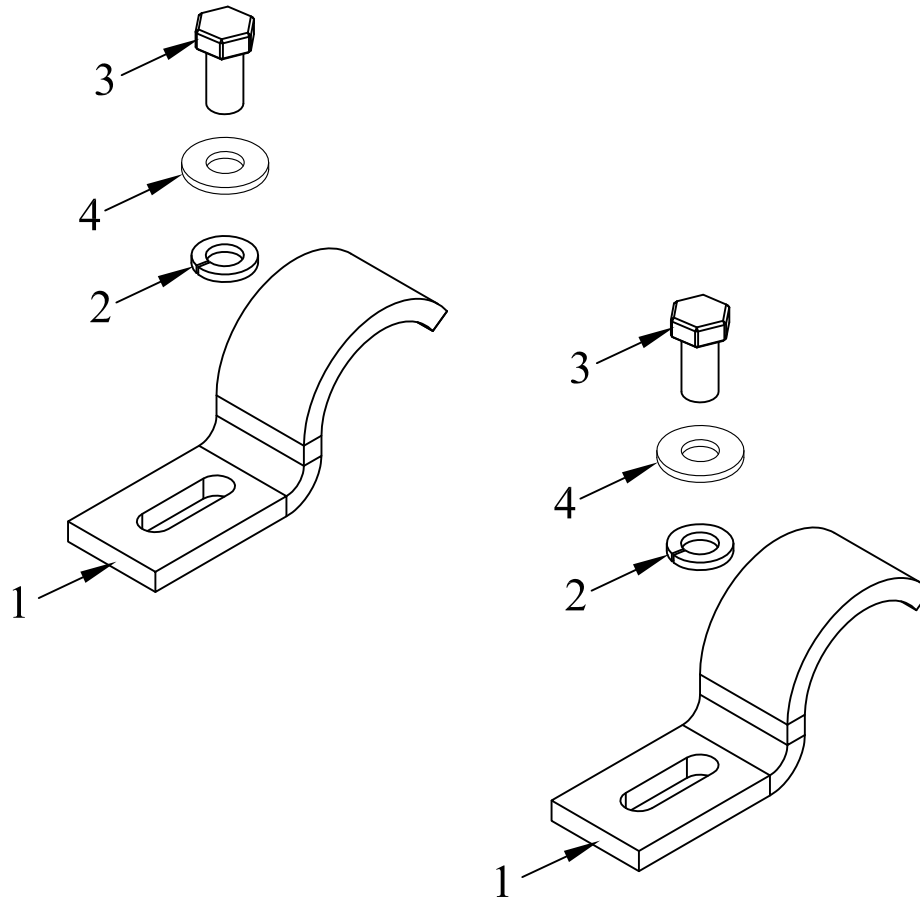


ITEM NO.	QTY.	PART NO.	DESCRIPTION
1	2	006865	.25"x1.25"x5.125" CYL CLAMP(1.5)
2	2	000572	3/8" SPRING LOCK WASHER
3	2	000509	3/8-16x1"HHCS GR5
4	2	000575	3/8 USS FLAT WASHER



REV.	DATE	CHANGE RECORD	BY	APPVD	ECN	DRAFT	ANGULAR	SALES CATEGORY	PRODUCT LINE	SCALE	FIN. WT.	PART NO.												
A	4/25/08	REPLACED #000508 HHCS W/#000509 HHCS AND ADDED #000575	LSB	LSB		2'	±1'	45	8950	N		6832												
						THIRD ANGLE PROJECTION		FILENAME:		WOODBINE MFG. CO. BUS BROWN DRIVE WOODBINE, IOWA 51579 712-647-2050														
								SYMBOLY PER ANSI Y14.5		NOTES:														
						<table border="1"> <thead> <tr> <th>DECIMAL</th> <th>2PLC</th> <th>3PLC</th> </tr> </thead> <tbody> <tr> <td>MACHINE SAW, DRILL</td> <td>.030</td> <td>.015</td> </tr> <tr> <td>SHEAR, PUNCH FORM</td> <td>.060</td> <td>.030</td> </tr> <tr> <td>TORCH, WELDING ROUGH CAST</td> <td>.090</td> <td>.060</td> </tr> </tbody> </table>		DECIMAL	2PLC	3PLC	MACHINE SAW, DRILL	.030	.015	SHEAR, PUNCH FORM	.060	.030	TORCH, WELDING ROUGH CAST	.090	.060	DRAWN BY. DJR		THE ORIGINAL TOMMY GATE hydraulic lift		
DECIMAL	2PLC	3PLC																						
MACHINE SAW, DRILL	.030	.015																						
SHEAR, PUNCH FORM	.060	.030																						
TORCH, WELDING ROUGH CAST	.090	.060																						
								DRAWN/DATE 12/15/03		THE INFORMATION HERE IS CONFIDENTIAL AND MUST NOT BE USED IN ANYWAY DETRIMENTAL TO THE INTEREST OF WOODBINE MFG.														
								APPVD/DATE		TITLE 1-1/2" REPLACEMENT CYLINDER CLAMP(1034-1040)														