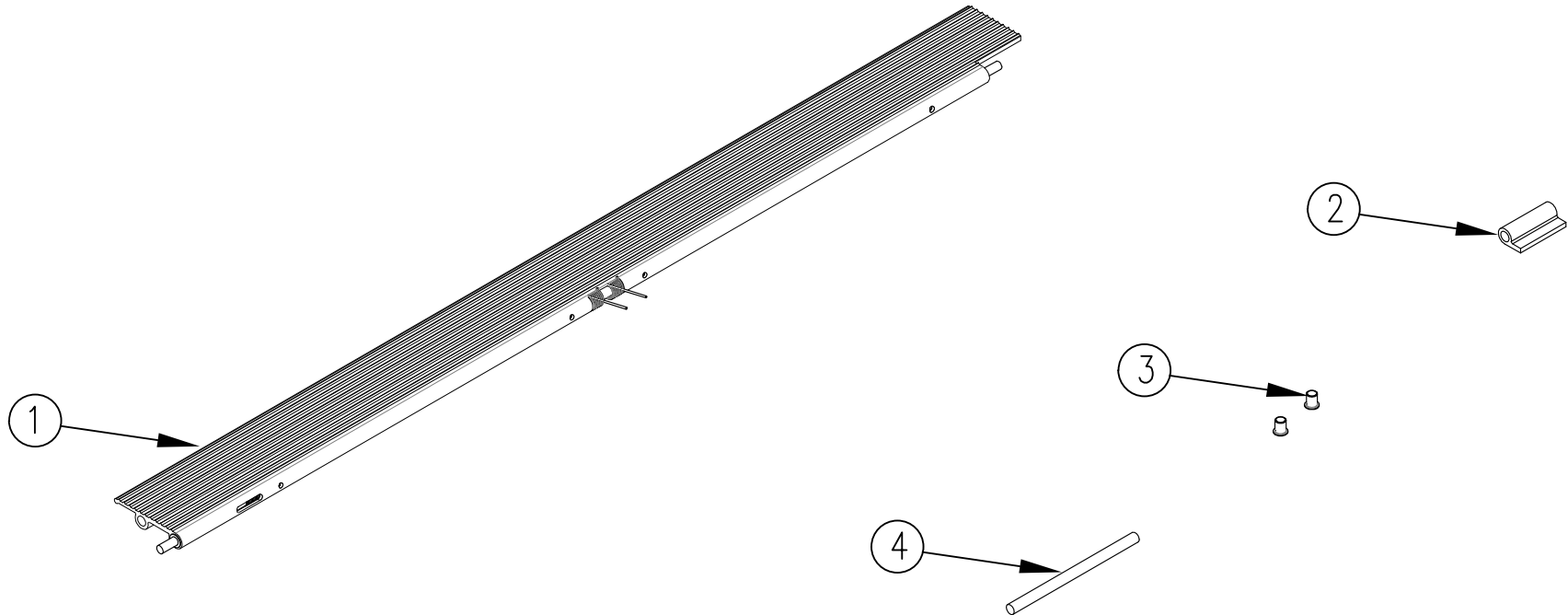



ITEM NO.	QTY.	PART NO.	DESCRIPTION
1	1	014457	CART STOP FLIPPER ASSEMBLY (73) LEFT
2	1	013418	CART STOP HALF BUSHING
3	2	014465	3/8" x 5/16" x 1/2" PLASTIC FLANGE BUSHING
4	1	013532	.38"DIA.x6"STAINLESS STEEL ROD
5	1	095179	REMOVABLE CART STOP (IN TAPER) REPL. INSTR.



REV.	DATE	CHANGE RECORD	BY	APPVD	ECN	THIRD ANGLE PROJECTION	FILENAME:	SYMBOLY PER ANSI Y14.5	NOTES:	WOODBINE MFG. CO. BUS BROWN DRIVE WOODBINE, IOWA 51579 712-647-2050
C	1/12/16	ADDED 13532	GDB		1562	DECIMAL MACHINE SAW,DRILL		2PLC .030	3PLC .015	<small>THE INFORMATION HERE IS CONFIDENTIAL AND MUST NOT BE USED IN ANYWAY DETRIMENTAL TO THE INTEREST OF WOODBINE MFG.</small> 
B	8/7/15	REMOVED 12778, 11223, 10646, 10373, AND 95124; ADDED 14457, 14465, AND 95179	GDB		1331	SHEAR, PUNCH FORM		.060	.030	
A	12/9/13	RELEASED TO PRODUCTION	JCB		1019	TORCH, WELDING ROUGH CAST		.090	.060	
						DRAFT 2'		ANGULAR ±1'		
							SALES CATEGORY	PRODUCT LINE	SCALE 1:6	FIN. WT.
										PART NO. 13568