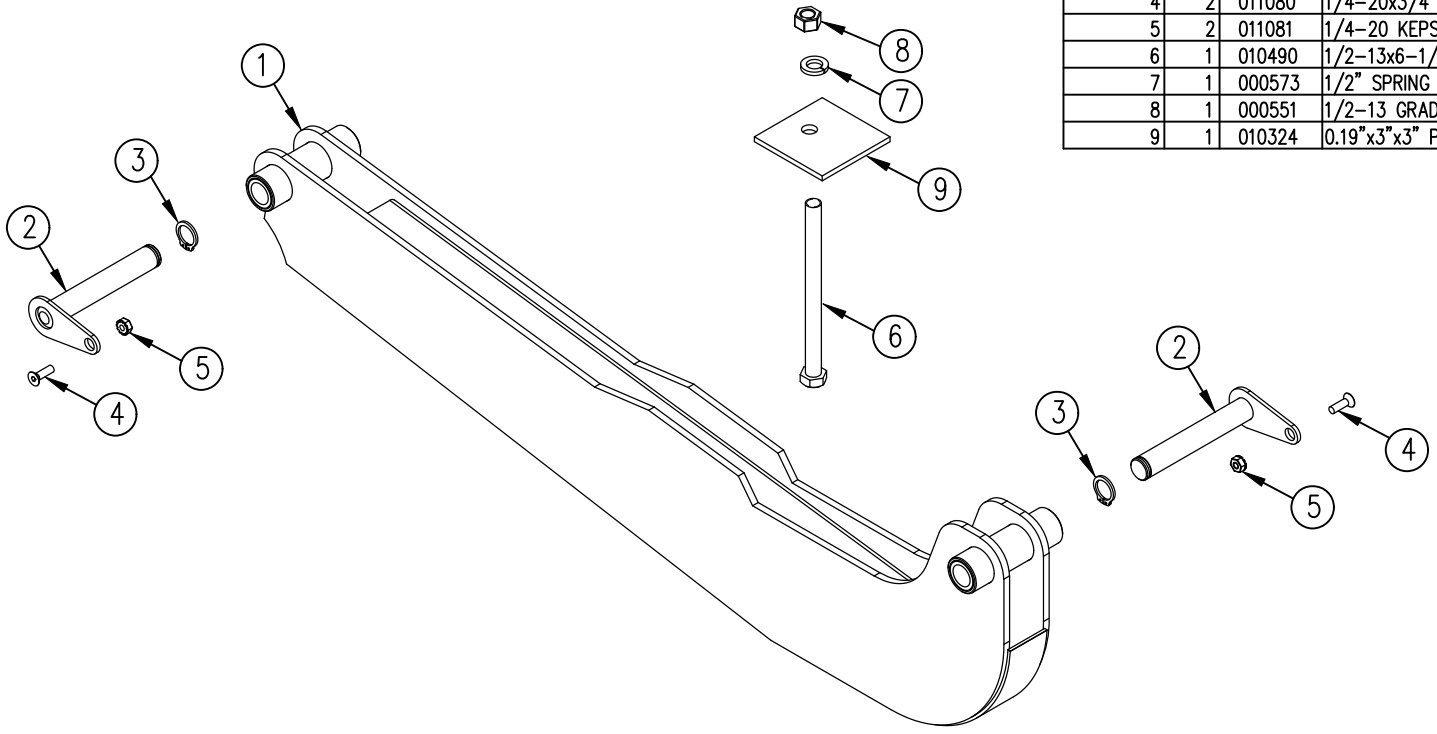


ITEM NO.	QTY.	PART NO.	DESCRIPTION
1	1	010891	CANTILEVER TENSION ARM ASSEMBLY (RIGHT)
2	2	006417	CANTILEVER TENSION ARM PIN W/ KEEPER
3	2	002025	3/4"EXTERNAL SNAP RING, PLATED
4	2	011080	1/4--20x3/4" FLAT HEAD SOCKET CAP SCREW ZP
5	2	011081	1/4--20 KEPS NUT ZINC
6	1	010490	1/2--13x6--1/2"HHCS GR5
7	1	000573	1/2" SPRING LOCK WASHER
8	1	000551	1/2--13 GRADE 5 HEX NUT (ZINC)
9	1	010324	0.19"x3"x3" PLATE(CANTILEVER)



						THIRD ANGLE PROJECTION	DRAWN BY JCB	NOTES:	WOODBINE MFG. CO. BUS BROWN DRIVE WOODBINE, IOWA 51579
						UNLESS OTHERWISE SPECIFIED	DRAWN/DATE 6/29/11		
						DIMENSIONS ARE IN INCHES	APPVD/DATE —		
						TOLERANCES: FRACTIONAL ±1/16 ANGULAR MACH ±1' BEND ±1'	DO NOT SCALE DRAWING		
B	1/15/24	011080 WAS 011084, UPDATED TITLE BLOCK	MK	2955		TWO PLACE DECIMAL ±0.030 THREE PLACE DECIMAL ±0.010		TITLE	CANTILEVER REPLACEMENT TENSION ARM (RIGHT)
A	6/29/11	RELEASED TO PRODUCTION	JCB	450					
REV.	DATE	CHANGE RECORD	BY	APPVD	ECN				
						THE INFORMATION HERE IS CONFIDENTIAL AND MUST NOT BE USED IN ANY WAY DETRIMENTAL TO THE INTEREST OF WOODBINE MFG.	SCALE 1:6	WEIGHT —	PART NO. 11286