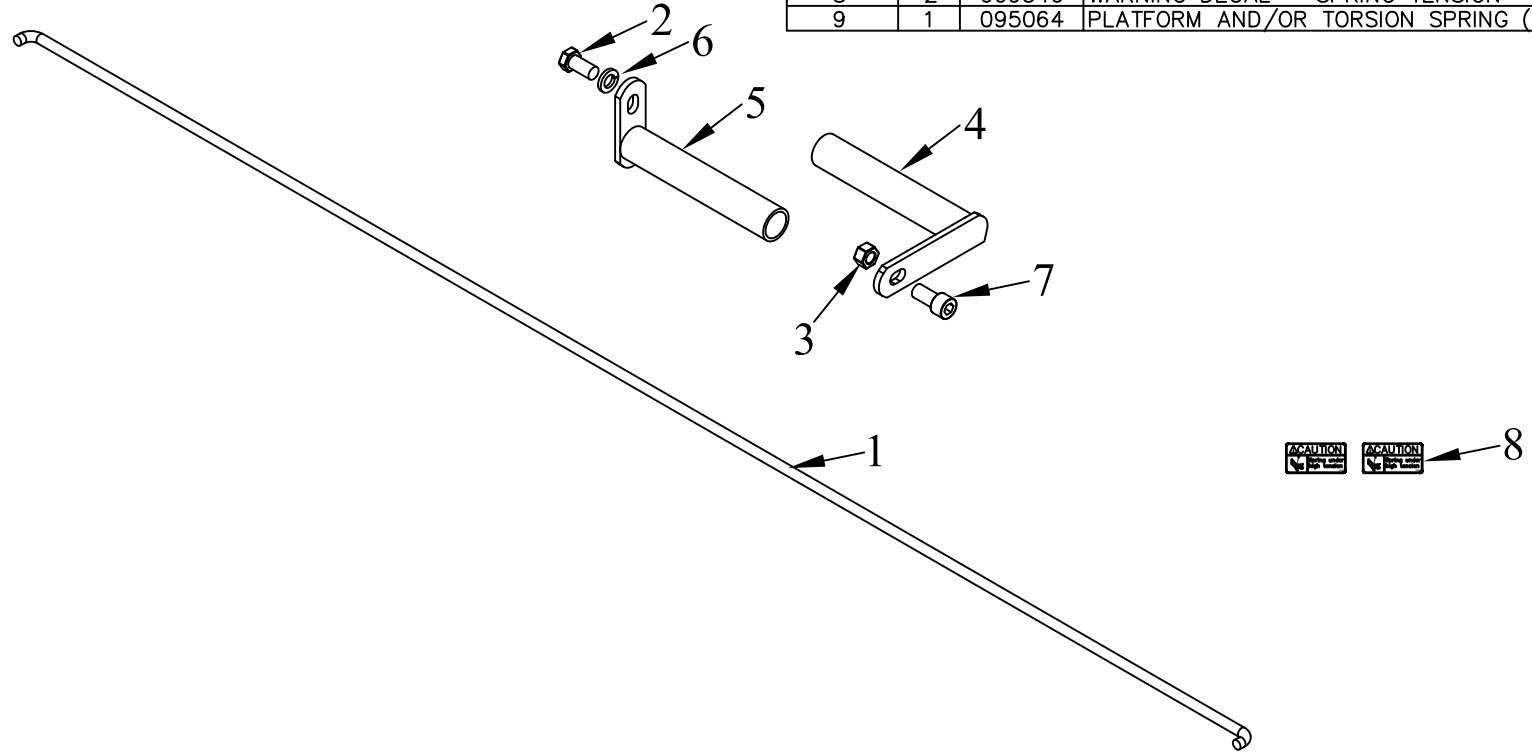


ITEM NO.	QTY.	PART NO.	DESCRIPTION
1	1	007871	.38"x70" TORSION SPRING(72EA)
2	1	000587	1/2-13x1" HHCS GR5
3	1	000588	1/2-13 CROWN LOCK NUT
4	1	007431	PASS SIDE SPRING HOLDER(62 DEG)
5	1	007778	HINGE TUBE SPRING HOLDER-EA DRIVER
6	1	000573	1/2" SPRING LOCKWASHER
7	1	000604	1/2-13x1"USS SOC HD CAP STAINLESS
8	2	009540	WARNING DECAL - SPRING TENSION
9	1	095064	PLATFORM AND/OR TORSION SPRING (CABLE/G2)



NOTE: USED ON CABLE SERIES MODELS 72-XX50 LIFTGATES (EXCEPT 1-7/8" THICK EA)
 USED ON CABLE SERIES MODELS LOW PROFILE (48+6 EA) LIFTGATES
 USED ON G2 SERIES MODEL 73 (STEEL PLATFORM) LIFTGATES

REV.	DATE	CHANGE RECORD	BY	APPVD	ECN	DRAFT 2"	ANGULAR ±1°	SALES CATEGORY	PRODUCT LINE	SCALE N	FIN. WT. 5.55	PART NO. 8028
D	3/29/11	ADDED 95064	JCB		427							
C	11/16/10	ADDED (2) 9540	JCB		376							
B	12/2/09	REPLACED 7424 W/ 7431; ADDED G2 TO NOTE	JCB		242							
A	8/8/06	UPDATED BOM	JCB	KGJ								
						THIRD ANGLE PROJECTION 		FILENAME: SYMBOLOLOGY PER ANSI Y14.5		NOTES:		
						DECIMAL 2PLC 3PLC MACHINE SAW, DRILL .030 .015 SHEAR, PUNCH FORM .060 .030 TORCH, WELDING ROUGH CAST .090 .060		DRAWN BY: DJR		WOODBINE MFG. CO. BUS BROWN DRIVE WOODBINE, IOWA 51579 712-647-2050		
								DRAWN/DATE 9/13/05		THE INFORMATION HERE IS CONFIDENTIAL AND MUST NOT BE USED IN ANYWAY DETRIMENTAL TO THE INTEREST OF WOODBINE MFG.		
								APPVD/DATE		TITLE TORSION SPRING KIT(72/73)		

