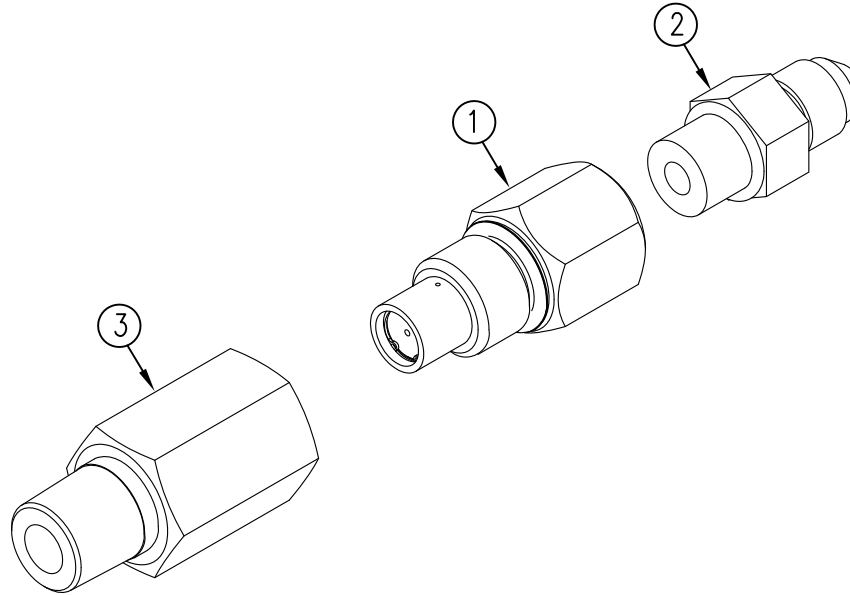



| ITEM NO. | QTY. | PART NO. | DESCRIPTION                         |
|----------|------|----------|-------------------------------------|
| 1        | 1    | 013235   | G2 FLOW CONTROL COMPLETE            |
| 2        | 1    | 010293   | 04MORB-04MJIC ADAPTER               |
| 3        | 1    | 013328   | FLOW CONTROL ADAPTER(G2/CANTILEVER) |



| REV.                      | DATE                                | CHANGE RECORD                   | BY       | APPVD    | ECN  | THIRD ANGLE PROJECTION   | FILENAME: | SYMBOLY PER ANSI Y14.5 | NOTES: | WOODBINE MFG. CO.<br>BUS BROWN DRIVE<br>WOODBINE, IOWA 51579 |      |      |                   |      |      |                           |      |      |          |             |  |   |           |     |            |         |            |  |       |                                     |                |              |       |          |          |  |  |     |  |       |   |
|---------------------------|-------------------------------------|---------------------------------|----------|----------|------|--|-----------|------------------------|--------|--|------|------|-------------------|------|------|---------------------------|------|------|----------|-------------|--|---|-----------|-----|------------|---------|------------|--|-------|-------------------------------------|----------------|--------------|-------|----------|----------|--|--|-----|--|-------|---|
| B                         | 6/27/14                             | ADDED (1) 13328; 13235 WAS 2099 | JCB      |          | 1153 | <table border="1"> <tr> <td>DECIMAL</td> <td>2PLC</td> <td>3PLC</td> </tr> <tr> <td>MACHINE SAW, DRILL</td> <td>.030</td> <td>.015</td> </tr> <tr> <td>SHEAR, PUNCH FORM</td> <td>.060</td> <td>.030</td> </tr> <tr> <td>TORCH, WELDING ROUGH CAST</td> <td>.090</td> <td>.060</td> </tr> <tr> <td>DRAFT 2°</td> <td>ANGULAR ±1°</td> <td></td> </tr> </table> | DECIMAL   | 2PLC                   | 3PLC   | MACHINE SAW, DRILL   | .030 | .015 | SHEAR, PUNCH FORM | .060 | .030 | TORCH, WELDING ROUGH CAST | .090 | .060 | DRAFT 2° | ANGULAR ±1° |  | <table border="1"> <tr> <td>DRAWN BY.</td> <td>JCB</td> </tr> <tr> <td>DRAWN/DATE</td> <td>7/27/11</td> </tr> <tr> <td>APPVD/DATE</td> <td></td> </tr> <tr> <td>TITLE</td> <td>REPLACEMENT CANTILEVER FLOW CONTROL</td> </tr> <tr> <td>SALES CATEGORY</td> <td>PRODUCT LINE</td> <td>SCALE</td> <td>FIN. WT.</td> <td>PART NO.</td> </tr> <tr> <td></td> <td></td> <td>1:1</td> <td></td> <td>11281</td> </tr> </table> | DRAWN BY. | JCB | DRAWN/DATE | 7/27/11 | APPVD/DATE |  | TITLE | REPLACEMENT CANTILEVER FLOW CONTROL | SALES CATEGORY | PRODUCT LINE | SCALE | FIN. WT. | PART NO. |  |  | 1:1 |  | 11281 | <p>712-647-2050</p>  <p>THE INFORMATION HERE IS CONFIDENTIAL AND MUST NOT BE USED IN ANYWAY DETRIMENTAL TO THE INTEREST OF WOODBINE MFG.</p> |
| DECIMAL                   | 2PLC                                | 3PLC                            |          |          |      |  |           |                        |        |  |      |      |                   |      |      |                           |      |      |          |             |  |   |           |     |            |         |            |  |       |                                     |                |              |       |          |          |  |  |     |  |       |   |
| MACHINE SAW, DRILL        | .030                                | .015                            |          |          |      |  |           |                        |        |  |      |      |                   |      |      |                           |      |      |          |             |  |   |           |     |            |         |            |  |       |                                     |                |              |       |          |          |  |  |     |  |       |   |
| SHEAR, PUNCH FORM         | .060                                | .030                            |          |          |      |  |           |                        |        |  |      |      |                   |      |      |                           |      |      |          |             |  |   |           |     |            |         |            |  |       |                                     |                |              |       |          |          |  |  |     |  |       |   |
| TORCH, WELDING ROUGH CAST | .090                                | .060                            |          |          |      |  |           |                        |        |  |      |      |                   |      |      |                           |      |      |          |             |  |   |           |     |            |         |            |  |       |                                     |                |              |       |          |          |  |  |     |  |       |   |
| DRAFT 2°                  | ANGULAR ±1°                         |                                 |          |          |      |  |           |                        |        |  |      |      |                   |      |      |                           |      |      |          |             |  |   |           |     |            |         |            |  |       |                                     |                |              |       |          |          |  |  |     |  |       |   |
| DRAWN BY.                 | JCB                                 |                                 |          |          |      |  |           |                        |        |  |      |      |                   |      |      |                           |      |      |          |             |  |   |           |     |            |         |            |  |       |                                     |                |              |       |          |          |  |  |     |  |       |   |
| DRAWN/DATE                | 7/27/11                             |                                 |          |          |      |  |           |                        |        |  |      |      |                   |      |      |                           |      |      |          |             |  |   |           |     |            |         |            |  |       |                                     |                |              |       |          |          |  |  |     |  |       |   |
| APPVD/DATE                |                                     |                                 |          |          |      |  |           |                        |        |  |      |      |                   |      |      |                           |      |      |          |             |  |   |           |     |            |         |            |  |       |                                     |                |              |       |          |          |  |  |     |  |       |   |
| TITLE                     | REPLACEMENT CANTILEVER FLOW CONTROL |                                 |          |          |      |  |           |                        |        |  |      |      |                   |      |      |                           |      |      |          |             |  |   |           |     |            |         |            |  |       |                                     |                |              |       |          |          |  |  |     |  |       |   |
| SALES CATEGORY            | PRODUCT LINE                        | SCALE                           | FIN. WT. | PART NO. |      |  |           |                        |        |  |      |      |                   |      |      |                           |      |      |          |             |  |   |           |     |            |         |            |  |       |                                     |                |              |       |          |          |  |  |     |  |       |   |
|                           |                                     | 1:1                             |          | 11281    |      |  |           |                        |        |  |      |      |                   |      |      |                           |      |      |          |             |  |   |           |     |            |         |            |  |       |                                     |                |              |       |          |          |  |  |     |  |       |   |
| A                         | 7/27/11                             | RELEASED TO PRODUCTION          | JCB      |          | 450  |  |           |                        |        |  |      |      |                   |      |      |                           |      |      |          |             |  |   |           |     |            |         |            |  |       |                                     |                |              |       |          |          |  |  |     |  |       |   |