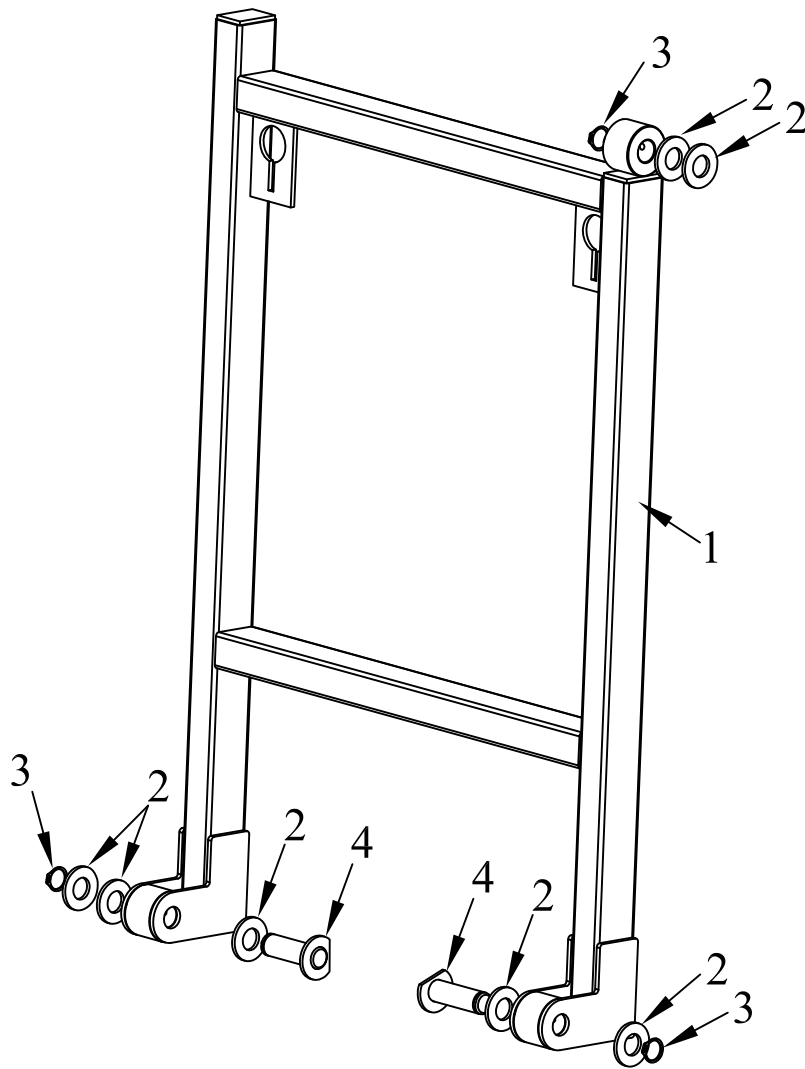

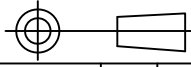


ITEM NO.	QTY.	PART NO.	DESCRIPTION
1	1	002379	BOTTLE RACK FENCE-RIGHT
2	7	000622	3/4"IDx1-1/4"OD FLAT WASHER (650)*ZP*
3	3	001405	3/4"EXTERNAL SNAP RING(5100-75)
4	2	002349	.75"DIA.x2.563"PIN w/WASHER(BR)



REV.	DATE	CHANGE RECORD	BY	APPVD	ECN	DRAFT	ANGULAR	SALES CATEGORY	PRODUCT LINE	SCALE	FIN. WT.	PART NO.		
B	5/19/16	REMOVED (6) 581 ADDED (7) 622	AAS		1643	2'	±1°			N		2329		
						THIRD ANGLE PROJECTION	FILENAME:		WOODBINE MFG. CO. BUS BROWN DRIVE WOODBINE, IOWA 51579  THE INFORMATION HERE IS CONFIDENTIAL AND MUST NOT BE USED IN ANYWAY DETRIMENTAL TO THE INTEREST OF WOODBINE MFG.					
							SYMBOLY PER ANSI Y14.5						NOTES:	
						DECIMAL	2PLC	3PLC					DRAWN BY.	
						MACHINE SAW, DRILL	.030	.015					DJR	
						SHEAR, PUNCH FORM	.060	.030					DRAWN/DATE	
						TORCH, WELDING ROUGH CAST	.090	.060	10/1/03					
						APPVD/DATE		TITLE		REPLACEMENT BOTTLE RACK FENCE-RIGHT				