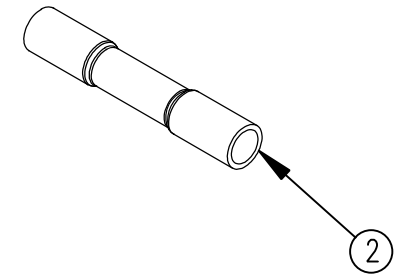
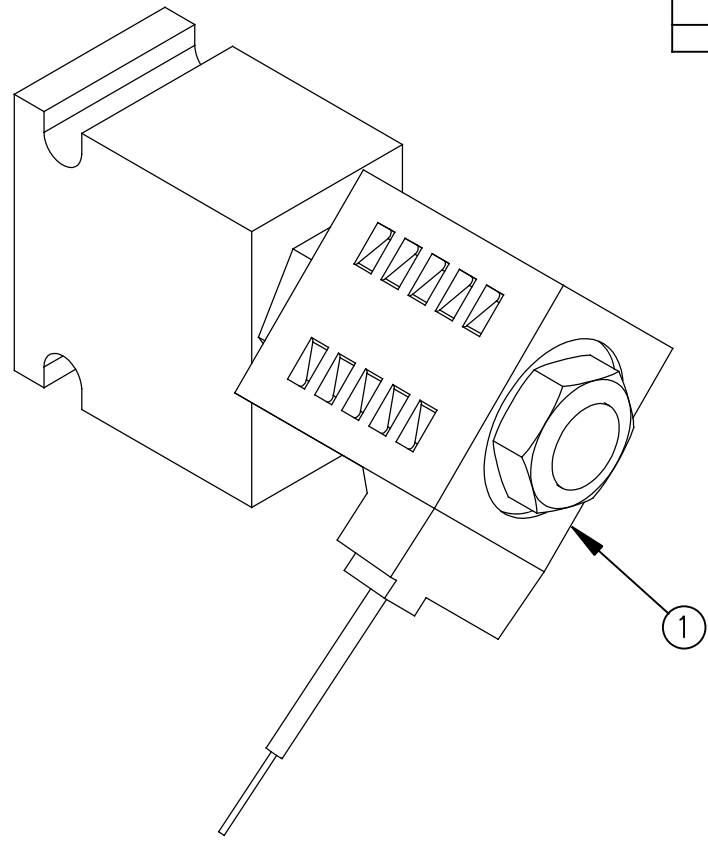


ITEM NO.	QTY.	PART NO.	DESCRIPTION
1	1	013883	CYLINDER LOCK ASSEMBLY
2	1	009089	16-14 HEAT SHRINK BUTT CONNECTOR
3	1	095218	CYL. LOWER SOLENOID REPLACEMENT INSTRUCTIONS



				THIRD ANGLE PROJECTION					WOODBINE MFG. CO. BUS BROWN DRIVE WOODBINE, IOWA 51579														
							SYMBOLY PER ANSI Y14.5		NOTES:														
				<table border="1"> <thead> <tr> <th>DECIMAL</th> <th>2PLC</th> <th>3PLC</th> </tr> </thead> <tbody> <tr> <td>MACHINE SAW, DRILL</td> <td>.030</td> <td>.015</td> </tr> <tr> <td>SHEAR, PUNCH FORM</td> <td>.060</td> <td>.030</td> </tr> <tr> <td>TORCH, WELDING ROUGH CAST</td> <td>.090</td> <td>.060</td> </tr> </tbody> </table>			DECIMAL	2PLC	3PLC	MACHINE SAW, DRILL	.030	.015	SHEAR, PUNCH FORM	.060	.030	TORCH, WELDING ROUGH CAST	.090	.060	DRAWN BY. AAS				
DECIMAL	2PLC	3PLC																					
MACHINE SAW, DRILL	.030	.015																					
SHEAR, PUNCH FORM	.060	.030																					
TORCH, WELDING ROUGH CAST	.090	.060																					
							DRAWN/DATE 3/24/16																
									<small>THE INFORMATION HERE IS CONFIDENTIAL AND MUST NOT BE USED IN ANYWAY DETRIMENTAL TO THE INTEREST OF WOODBINE MFG.</small>														
A	3/24/16	RELEASED TO PRODUCTION		AAS		1593	TITLE REPLACEMENT CYLINDER "LOWER" SOLENOID ASSEMBLY																
REV.	DATE	CHANGE RECORD		BY	APPVD	ECN	DRAFT 2"	ANGULAR ±1"	SCALE NTS	FIN. WT.	PART NO. 14695												