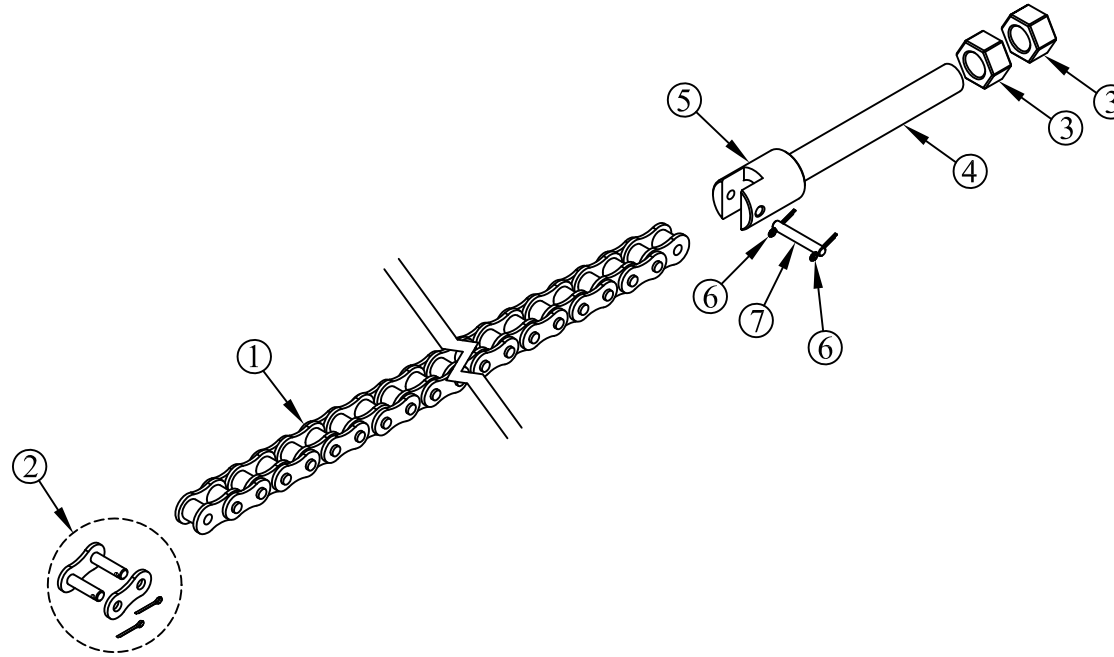



ITEM NO.	QTY.	PART NO.	DESCRIPTION
1	1	007659	281 PITCH ROLLER CHAIN(AB)PASSENGER'S SIDE
2	1	007661	50 SERIES CONNECTING LINK
3	2	000552	5/8-18 SAE HEX FIN NUT
4	1	007667	5/8"x5-3/4" CHAIN ADJUSTMENT BOLT
5	1	007666	1.12"DIA.x1.5" RAIL CHAIN TENSIONER
6	2	009967	1/16"x1/2" COTTER PIN
7	1	009867	0.200x1.344" HEAT CHAIN CLEVIS PIN
8	1	095041	ROLLER CHAIN REPLACEMENT GUIDE



REV.	DATE	CHANGE RECORD	BY	APPVD	ECN	THIRD ANGLE PROJECTION			FILENAME:		WOODBINE MFG. CO. BUS BROWN DRIVE WOODBINE, IOWA 51579	
						DECIMAL	2PLC	3PLC	SYMBOLGY PER ANSI Y14.5	NOTES:	712-647-2050	
C	2/19/14	REMOVED (1) 7317	JCB		1056	MACHINE SAW, DRILL	.030	.015	DRAWN BY: DJR			
B	3/30/09	REPLACED PN 7947 WITH INDIVIDUAL PARTS	JCB	JCB	121	SHEAR, PUNCH FORM	.060	.030	DRAWN/DATE 10/3/03			THE INFORMATION HERE IS CONFIDENTIAL AND MUST NOT BE USED IN ANYWAY DETRIMENTAL TO THE INTEREST OF WOODBINE MFG.
A	12/22/08	ADDED PN 95041	JCB	JCB	91	TORCH, WELDING ROUGH CAST	.090	.060	APPVD/DATE	TITLE 281 PITCH REPLACEMENT ROLLER CHAIN ABOVE BED PASSENGER'S SIDE		
						DRAFT 2'	ANGULAR ±1'	SALES CATEGORY	PRODUCT LINE	SCALE 1:4	FIN. WT.	PART NO. 8021