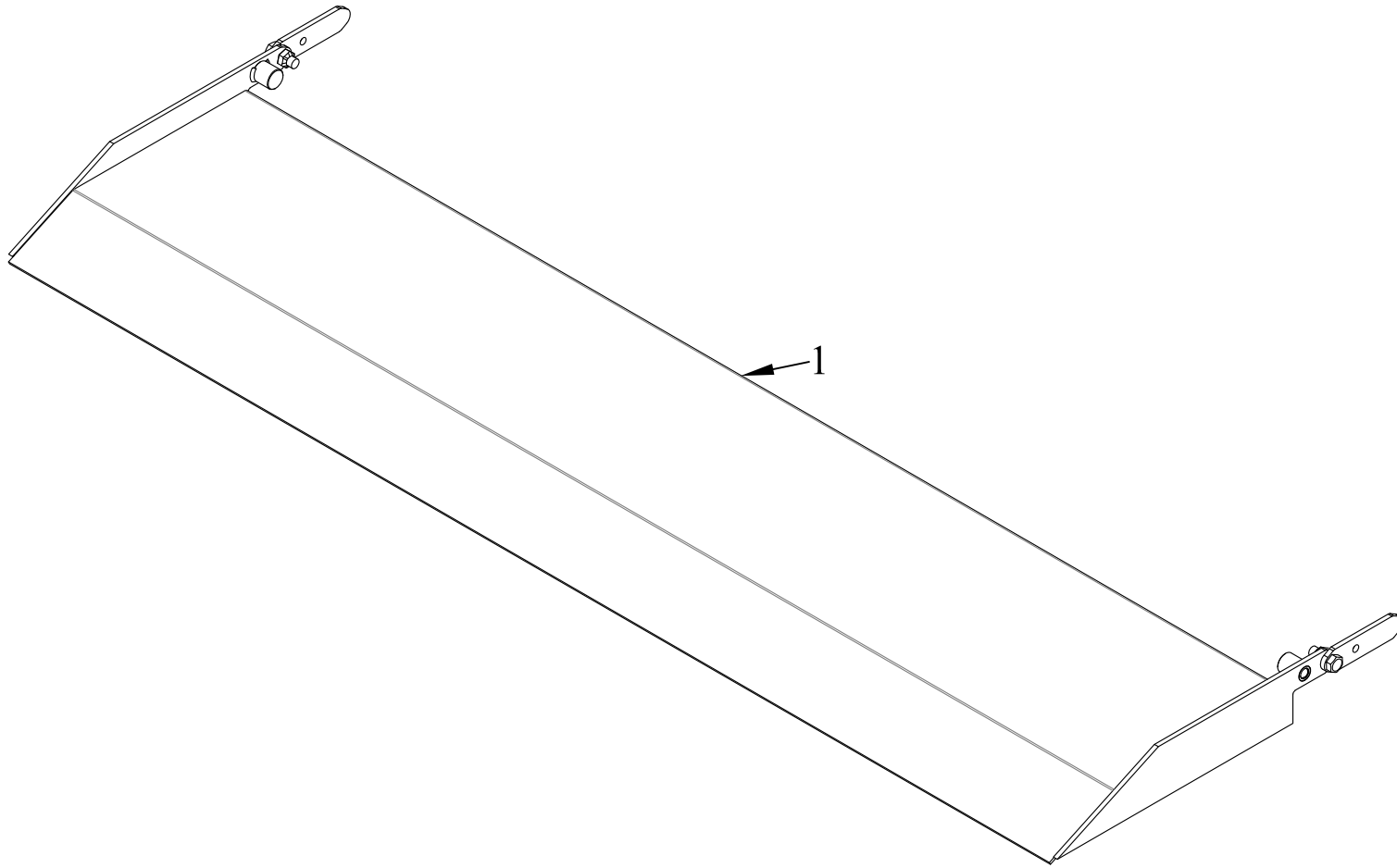



ITEM NO.	QTY.	PART NO.	DESCRIPTION
1	1	14176	G2 87-F11w/4" TAPER TP FLIPPER COMPL



REV.	DATE	CHANGE RECORD	BY	APPVD	ECN	DRAFT 2'	ANGULAR ±1'	SALES CATEGORY	PRODUCT LINE	SCALE N	FIN. WT.	PART NO. 18422	
A	10/23/24	RELEASED TO PRODUCTION	AAS		3068								
						THIRD ANGLE PROJECTION		FILENAME:		NOTES:    WOODBINE MFG. CO. BUS BROWN DRIVE WOODBINE, IOWA 51579  THE INFORMATION HERE IS CONFIDENTIAL AND MUST NOT BE USED IN ANYWAY DETRIMENTAL TO THE INTEREST OF WOODBINE MFG.			
						DECIMAL	2PLC	3PLC	SYMBOLY PER ANSI Y14.5				
						MACHINE SAW, DRILL	.030	.015	DRAWN BY. AAS				
						SHEAR, PUNCH FORM	.060	.030	DRAWN/DATE 10/23/24				
						TORCH, WELDING ROUGH CAST	.090	.060	APPVD/DATE				
								TITLE		REPLACEMENT G2 87 LOW PRO TREADPLATE FLIPPER			