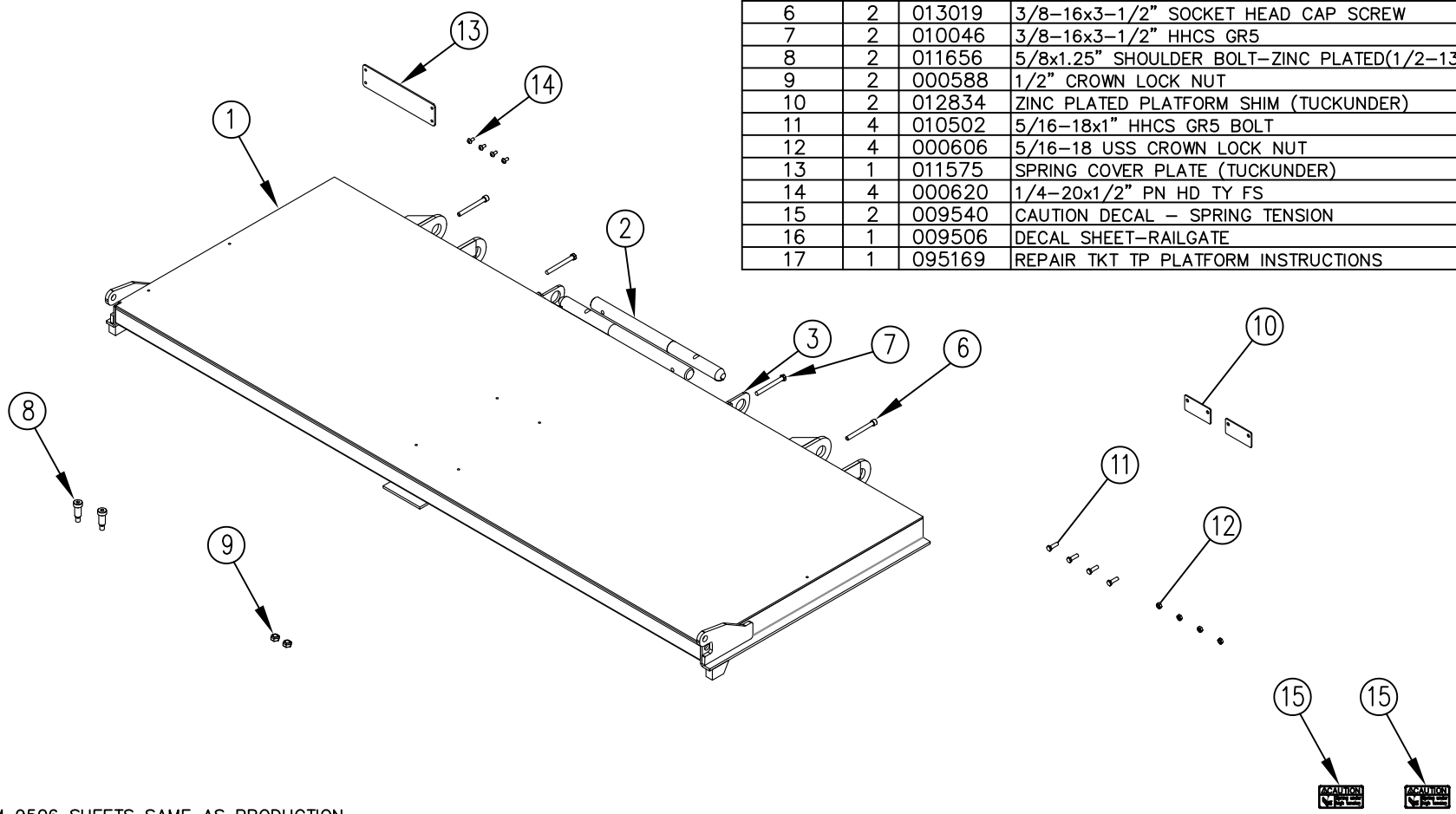


ITEM NO.	QTY.	PART NO.	DESCRIPTION
1	1	013023	25" TP MAIN PLATFORM(TUCKUNDER)
2	2	011527	1.24"DIA.x17.50"PLATFORM PIN(TUCKUNDER)
3	2	011524	.25"x2.50"x3.19"SPRING PLATE(TUCKUNDER)
4	4	000509	3/8-16x1" HHCS GR5
5	8	000605	3/8-16 USS CROWN LOCK NUT
6	2	013019	3/8-16x3-1/2" SOCKET HEAD CAP SCREW
7	2	010046	3/8-16x3-1/2" HHCS GR5
8	2	011656	5/8x1.25" SHOULDER BOLT-ZINC PLATED(1/2-13)
9	2	000588	1/2" CROWN LOCK NUT
10	2	012834	ZINC PLATED PLATFORM SHIM (TUCKUNDER)
11	4	010502	5/16-18x1" HHCS GR5 BOLT
12	4	000606	5/16-18 USS CROWN LOCK NUT
13	1	011575	SPRING COVER PLATE (TUCKUNDER)
14	4	000620	1/4-20x1/2" PN HD TY FS
15	2	009540	CAUTION DECAL - SPRING TENSION
16	1	009506	DECAL SHEET-RAILGATE
17	1	095169	REPAIR TKT TP PLATFORM INSTRUCTIONS



NOTE: APPLY DECALS FROM 9506 SHEETS SAME AS PRODUCTION

REV.	DATE	CHANGE RECORD	BY	APPVD	ECN	THIRD ANGLE PROJECTION	DRAWN BY	NOTES:	SCALE	WEIGHT	PART NO.
						 UNLESS OTHERWISE SPECIFIED	GDB		1:8	-	
B	12/21/18	ADDED 011575 AND (4) 000620	GDB		2150	DIMENSIONS ARE IN INCHES					
A.1	3/26/15	BILL CORRECTIONS TO MATCH PRODUCTION	GDB			TOLERANCES:					
A	3/20/15	RELEASED TO PRODUCTION	GDB		1348	FRACTIONAL ±1/16					
						ANGULAR MACH ±1°					
						BEND ±1°					
						TWO PLACE DECIMAL ±0.030					
						THREE PLACE DECIMAL ±0.010					
						THE INFORMATION HERE IS CONFIDENTIAL AND MUST NOT BE USED IN ANY WAY DETRIMENTAL TO THE INTEREST OF WOODBINE MFG.					
											14339

WOODBINE MFG. CO.
 BUS BROWN DRIVE
 WOODBINE, IOWA 51579

TITLE
 REPL. 25" TP MAIN PLATFORM (TUCKUNDER)