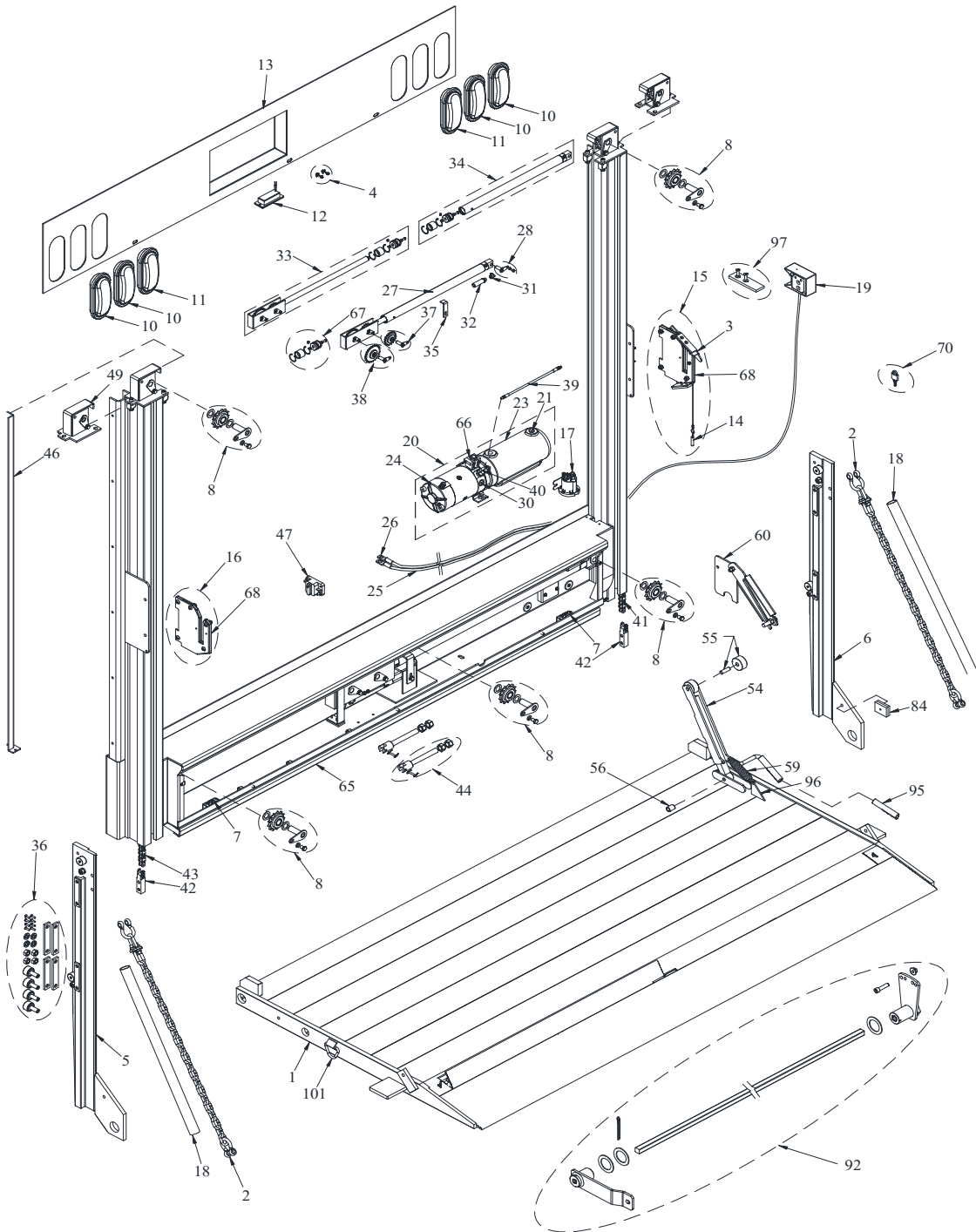
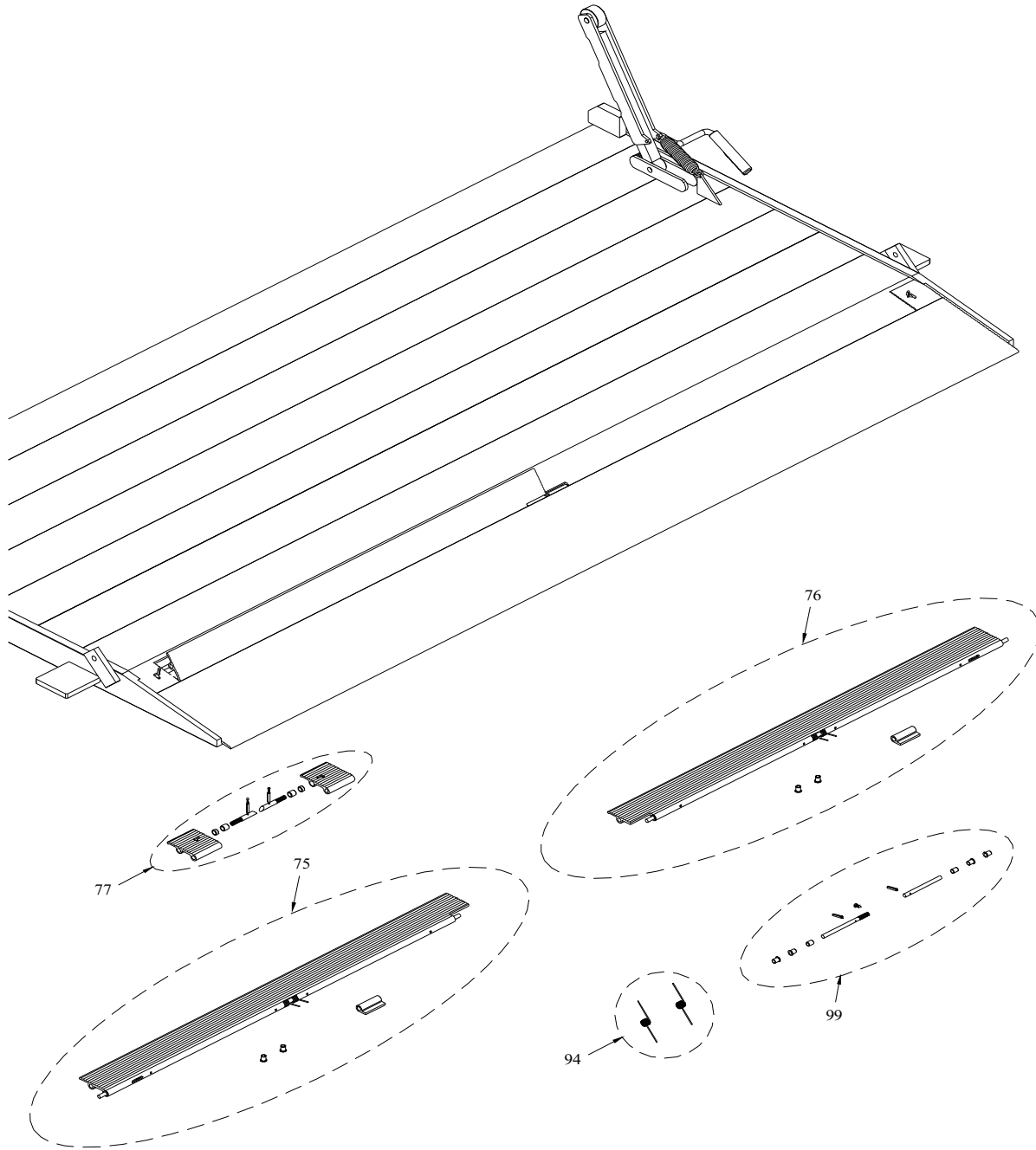


1600 AND 2000 RTC ALUMINUM ROLLER RAILGATE SERIES FOR MODELS 85 & 89



1600 AND 2000 RTC ALUMINUM ROLLER RAILGATE SERIES
ALUMINUM CARTSTOP PARTS DRAWING
FOR MODELS 85 & 89



1600 AND 2000 RTC ALUMINUM ROLLER RAILGATE SERIES PARTS LIST

Draw. Ref.	Part No.	Description	Qty Required
1	013091	TA (89)35+12 Replacement EA Platform	1
	013092	TA (89)35+12 Replacement EA Platform w/Cart Stop	1
	013095	SC (89)35+12 Replacement EA Platform	1
	013096	SC (89)35+12 Replacement EA Platform w/Cart Stop	1
	013099	TA (89)55+12 Replacement EA Platform	1
	013100	TA (89)55+12 Replacement EA Platform w/Cart Stop	1
2	013108	Rail(AB) Replacement Platform Chain (37+1 Links) (TX)	2
3	012627	Replacement Latch Flipper	1
	013823	Replacement Self Close Latch Flipper	1
4	001111	License Plate Mount Kit	1
5	013109	47" Replacement TA Slider w/Rollers-Left(TX)	1
	013111	47" Replacement Self Close Slider w/Rollers-Left(TX)	1
6	013110	47" Replacement TA Slider w/Rollers-Right(TX)	1
	013553	47" Replacement Self Close Slider w/Rollers-Right(TX)	1
7	000930	Replacement Rail Safety Switch	2
8	004191	13 Tooth Replacement Sprocket, Pin & Keeper (All Aluminum)	5
10	000904	Replacement Red LED Light w/Grommet	4
11	000889	Replacement Clear LED Light w/Grommet	2
12	013554	Replacement LED License Plate Light	1
13	013824	Replacement Self Close Box Cover (85) w/Alarm	1
	013103	Replacement Box Cover (89)TX w/Alarm & Lights(TA) (SPEC GATE ONLY)	1
	013555	Replacement Box Cover (89)TX w/Lights(TA) (SPEC GATE ONLY)	1
	013556	Replacement Self Close Box Cover (89)TX w/Alarm & Lights	1
	013557	Replacement Self Close Box Cover (89)TX w/Lights	1
14	012628	Replacement Latch Pin and Lanyard	1
15	012624	Replacement PS Latch	1
	013825	Replacement PS Self Close Latch (TX)	1
16	012625	Replacement DS Latch	1
17	013558	Replacement Raise Solenoid-4 Post	1
	000967	Replacement Raise Solenoid-3 Post	1
18	006597	Replacement Cloth Chain Cover 46"	2
19	013559	Replacement Fixed Compact Control	1
	013358	Replacement Toggle Switch w/Wire Assembly (SPEC GATE ONLY)	1
20	013267	Replacement 2000# TX Auxiliary Hand Pump & Motor Unit (2600psi)	1
	013268	Replacement 1600# TX 3-Post Pump & Motor Unit (2100psi)	1
	013269	Replacement 1600# TX 4-Post Pump & Motor Unit (2100psi)	1
	004290	Replacement 1600# Rail (79-95) Pump & Motor Unit (2600psi)	1
	015001	Replacement 2000# TX 4-Post Pump & Motor Unit (2600psi)	1
21	000989	Replacement Vent Plug	1
23	004355	Replacement Monarch Plastic Tank (3qt.)**	1
24	000958	Replacement 12 Volt Motor-Only (Monarch)**	1
25	011803	Replacement 2 Ga. 2 Wire Elec Cable w/Lugs-33 ft.	1
	013560	Replacement 2 Ga. Single Wire Cables w/Lugs-35 ft. Red/30 ft. Black	1
26	000992	Replacement Copper Lug	6
27	009760	Railgate Replacement Cylinder (79-95)	1
28	008179	Replacement Rail Cylinder Pin & Keeper (Alum)	1
30	000973	Replacement Monarch Lee Check Valve	1

1600 AND 2000 RTC ALUMINUM ROLLER RAILGATE SERIES PARTS LIST

Draw. Ref.	Part No.	Description	Qty Required
31	012607	Replacement 90 Degree Elbow (Male 9/16 ORB x Female 9/16 ORB)	1
32	012966	Replacement Flow Control Complete (9/16" M x 7/16" F x 0.078") w/ Adapters for (3/8" M x 1/4" F x 0.078")	1
33	003221	Cylinder Shaft w/Sprockets Assembly (Rail) Includes: Cylinder Repair Kit	1
34	003257	2"x35" Replacement Cylinder Barrel (Rail) Includes: Cylinder Repair Kit	1
35	006835	Replacement Cylinder Clamp (All Aluminum Rail)	1
36	013561	Replacement Bearing Pad Set W/ Rollers (TX)	2
37	004188	19-Tooth Repair Sprocket with 3/4" x 2" Pin & Keeper	1
38	004189	25-Tooth Repair Sprocket with 3/4" x 2" Pin & Keeper	1
39	012609	Replacement 1/4"x20" Hydraulic Hose w/ Adapters (79,85,89,95)	1
40	012611	Replacement 90 Degree Elbow (Male 9/16 O-ring Boss x Male 7/16 JIC)	1
41	013562	295 Pitch Replacement Roller Chain Above Bed Pass. Side(TX)	1
42	008030	Replacement Roller Chain Attachment Fitting	2
43	008044	335 Pitch Replacement Roller Chian Above Bed Driver's Side(95 & 89TX)	1
	013826	329 Pitch Replacement Roller Chain (85TX)	1
44	007947	Roller Chain Adjustment Screw, Clevis & Pin	2
46	013563	Replacement Alum. Roller Chain Cover(TX)	2
47	000998	Replacement 150 Amp Manual Reset Circuit Breaker	1
48	013564	Replacement Alum AB Sprocket Assembly-R(TX)	1
49	013638	Replacement Alum AB Sprocket Assembly-L(TX)	1
54	013639	Replacement Alum Platform Self Close Arm Kit (TX)	1
55	008138	Replacement Self-Close 2" Roller Kit	1
56	008068	Repair Self Close Arm Bushing Kit-Aluminum Platform	1
59	000922	Replacement 0.142"x1.125"x5.5" Extension Spring (Rail)	1
60	013357	Platform Hold Down Kit	1
65	013640	(TX)Replacement Self-Close Safety Trip Bar-81-1/4"	1
	013641	(TX)Replacement Safety Trip Bar-83-1/4"(TA) (SPEC GATE ONLY)	1
	013827	Replacement Safety Trip Bar-79-1/4" (85)	1
66	009645	Release Solenoid External Assembly w/Connector	1
67	001110	2" Cylinder Repair Kit (Rail)	1
68	012626	Replacement UHMW Poly. Rail Plate Wear Latch	2
70	000966	Replacement Padlock w/Keys	1
75	013571	Replacement Left Cart Stop (in taper) 89	1
	013570	Replacement Left Cart Stop (in taper) 85	1
76	013576	Replacement Right Cart Stop (in taper) 89	1
	013575	Replacement Right Cart Stop (in taper) 85	1
77	014544	Replacement Rail Cart Stop Latch Kit (in taper)	1
84	013642	Replacement Platform Stop Block Kit (TX)	1
92	013645	1/2"SQ. Torsion Spring Kit (89) Self Close (TX)	1
	013646	5/8"SQ. Torsion Spring Kit (89) (TX)	1
	013647	(89) Dual Torsion Spring Kit (TX)	1
	013838	5/8"SQ. Torsion Spring Kit (85)	1
94	013566	Repair Cart Stop Torsion Spring Kit (in taper) (non-removable)	1
	014542	Removable Cart Stop Torsion Spring Kit (in taper)	2
95	011805	Replacement Self-Close Handle Grip(4.50")	1
96	000921	Replacement Alum Platform Triangle Deadman	1
97	013599	Replacement Latch Flipper Wear Plate	1
99	014543	Removable Cart Stop Replacement Hinge Kit	2
101	015884	Replacement Rail Tie Down Ring	2

**Please provide the liftgate Model and Serial numbers when ordering repair parts.
Note: The above prices are for standard equipment only. Call the factory for pricing of optional equipment or special