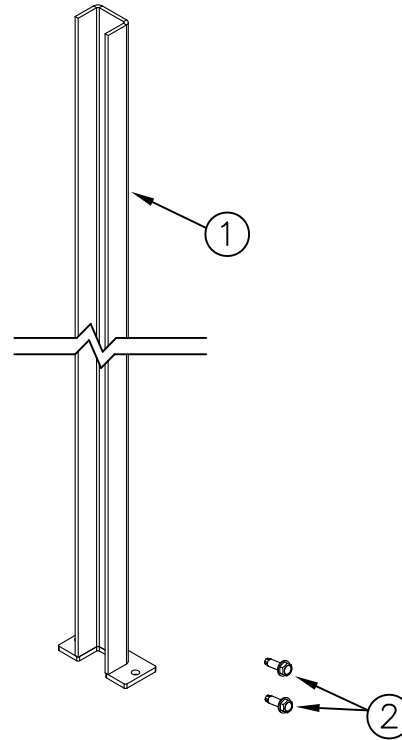


ITEM NO.	QTY.	PART NO.	DESCRIPTION
1	1	008126	ALUM ROLLER CHAIN COVER (N)
2	2	013980	1/4-20x3/4" SS TY F HEX HD



REV.	DATE	CHANGE RECORD	BY	APPVD	ECN	THIRD ANGLE PROJECTION	FILENAME:	SYMBOLY PER ANSI Y14.5	NOTES:																	
C	7/14/15	REPLACED 747 WITH 13980	AAS		1439																					
B	5/22/12	REPLACED 620 WITH 747	JCB		665	<table border="1"> <tr> <td>DECIMAL</td> <td>2PLC</td> <td>3PLC</td> </tr> <tr> <td>MACHINE SAW, DRILL</td> <td>.030</td> <td>.015</td> </tr> <tr> <td>SHEAR, PUNCH FORM</td> <td>.060</td> <td>.030</td> </tr> <tr> <td>TORCH, WELDING ROUGH CAST</td> <td>.090</td> <td>.060</td> </tr> </table>	DECIMAL	2PLC	3PLC	MACHINE SAW, DRILL	.030	.015	SHEAR, PUNCH FORM	.060	.030	TORCH, WELDING ROUGH CAST	.090	.060	<table border="1"> <tr> <td>DRAWN BY.</td> <td>JCB</td> </tr> <tr> <td>DRAWN/DATE</td> <td>8/15/07</td> </tr> <tr> <td>APPVD/DATE</td> <td></td> </tr> </table>	DRAWN BY.	JCB	DRAWN/DATE	8/15/07	APPVD/DATE		<p>WOODBINE MFG. CO. BUS BROWN DRIVE WOODBINE, IOWA 51579</p> <p>712-647-2050</p> <p>THE INFORMATION HERE IS CONFIDENTIAL AND MUST NOT BE USED IN ANYWAY DETRIMENTAL TO THE INTEREST OF WOODBINE MFG.</p>
DECIMAL	2PLC	3PLC																								
MACHINE SAW, DRILL	.030	.015																								
SHEAR, PUNCH FORM	.060	.030																								
TORCH, WELDING ROUGH CAST	.090	.060																								
DRAWN BY.	JCB																									
DRAWN/DATE	8/15/07																									
APPVD/DATE																										
A	8/15/07	DRAWN IN AUTOCAD	JCB	KGJ					TITLE REPLACEMENT ALUM. ROLLER CHAIN COVER(ABOVE-BED ONLY) (N)																	
						<table border="1"> <tr> <td>DRAFT</td> <td>ANGULAR</td> </tr> <tr> <td>2"</td> <td>±1"</td> </tr> </table>	DRAFT	ANGULAR	2"	±1"	SALES CATEGORY	PRODUCT LINE	SCALE 1:6	FIN. WT.	PART NO. 7293											
DRAFT	ANGULAR																									
2"	±1"																									