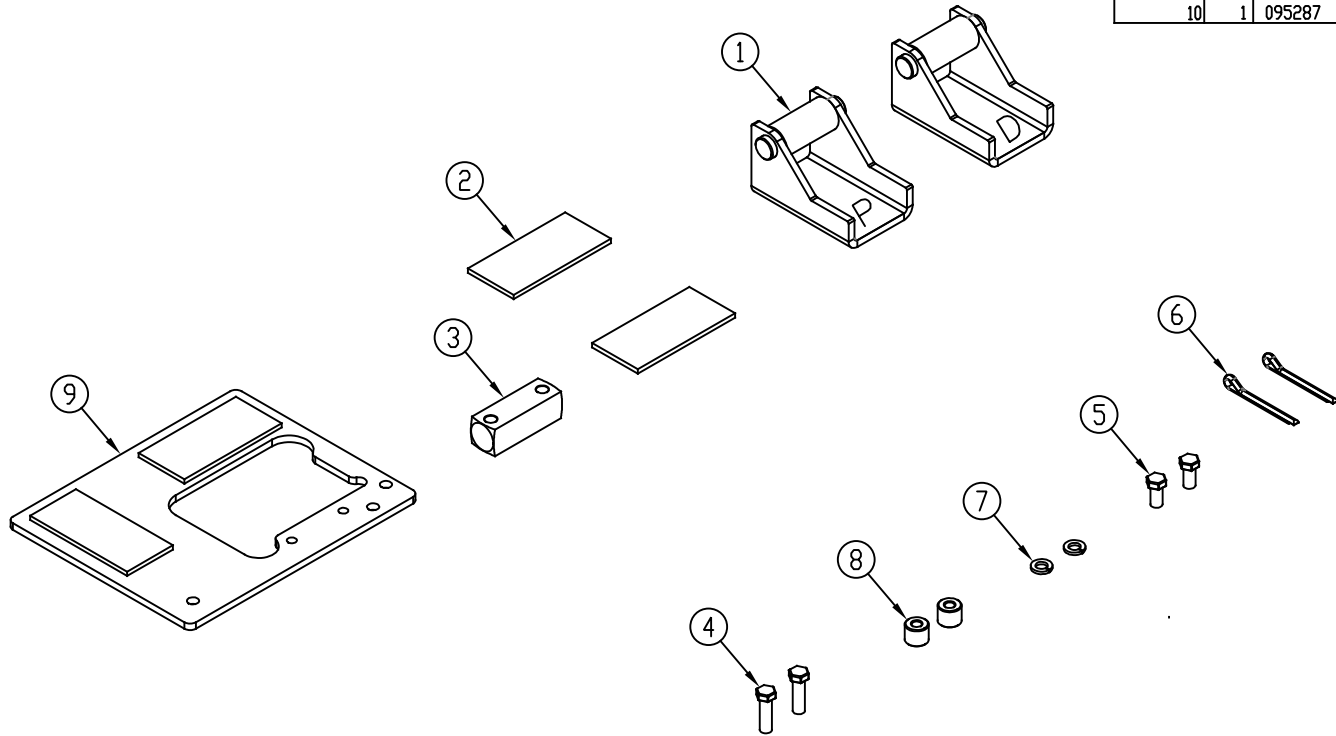


ITEM NO.	QTY.	PART NO.	DESCRIPTION
1	2	016200	PLATFORM ROLLER LATCH WELDMENT BF/GBR
2	2	015199	LATCH SHIM
3	1	007263	OUTRAIL LONG BLOCK
4	2	000510	3/8-16 X 1-1/4" HHCS GR5
5	2	000508	3/8-16 X 3/4" HHCS GR5
6	2	004720	1/4"x2" COTTER PIN
7	2	000572	3/8" SPRING LOCK WASHER
8	2	007493	0.75 DIA X 0.625 SPRING SLUG
9	1	016125	BF/GBR LATCH FIXTURE WELDMENT
10	1	095287	BF/GBR LATCH ROLLER REPLACEMENT INSTRUCTIONS



REV.	DATE	CHANGE RECORD	BY	APPVD	ECN	DRAFT	ANGULAR	SCALE	FIN. WT.	PART NO.
B	8/1/19	REMOVED (2)14963, (2)14964, (4)2025, (2)14966, (1)7262, (1)15020, (1)508, (1)572, (1)7493; ADDED (2)16200, (1)510, (2)4720, (1)95287	MTC		2257	2'	±1'			016123
A	4/3/18	RELEASE TO PRODUCTION	AAS		2022					
						THIRD ANGLE PROJECTION	FILENAME:		WOODBINE MFG. CO. BUS BROWN DRIVE WOODBINE, IOWA 51579	
							SYMBOLY PER ANSI Y14.5		NOTES:	
						DECIMAL	2PLC	3PLC	DRAWN BY:	
						MACHINE SAW, DRILL	.030	.015	AAS	
						SHEAR, PUNCH FORM	.060	.030	DRAWN/DATE	
						TORCH, WELDING ROUGH CAST	.090	.060	4/3/18	
								TITLE		
								BF/GBR LATCH ROLLER REPLACEMENT		



THE INFORMATION HERE IS CONFIDENTIAL AND MUST NOT BE USED IN ANYWAY DETRIMENTAL TO THE INTEREST OF WOODBINE MFG.