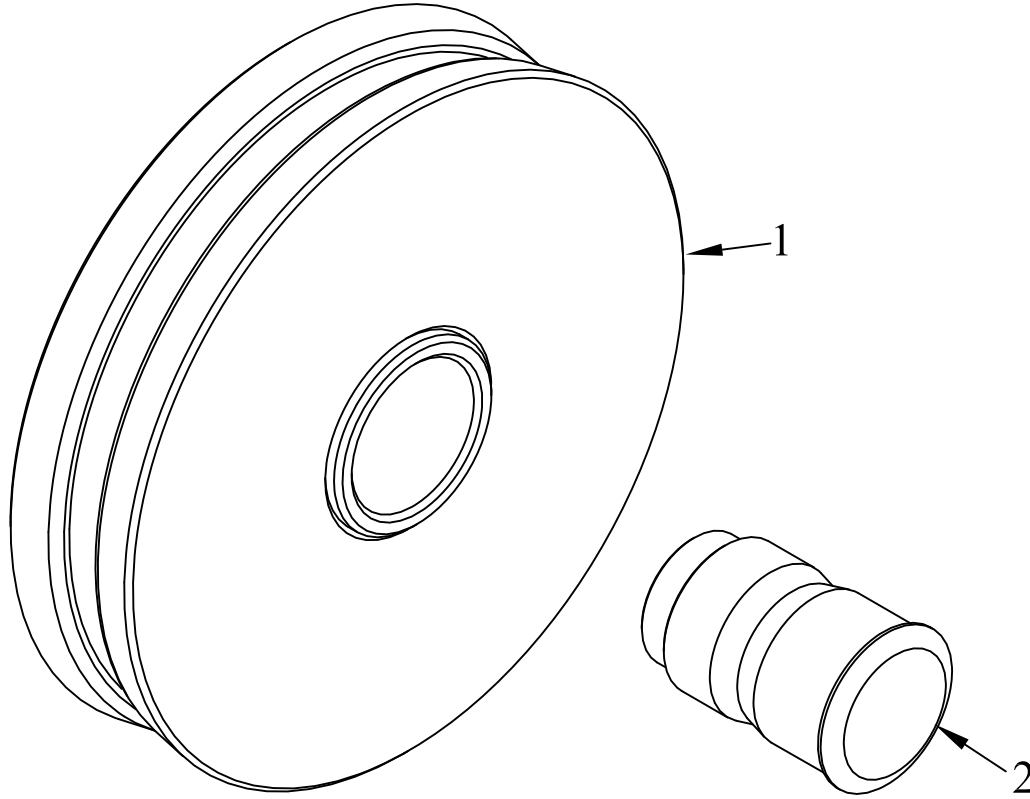


ITEM NO.	QTY.	PART NO.	DESCRIPTION
1	1	004086	4"PUL_SGL(5/16)w/.88"I.D. BUSH.
2	1	007543	0.875 DIA X 1.450 ARM PIN



REV.	DATE	CHANGE RECORD	BY	APPVD	ECN	THIRD ANGLE PROJECTION	FILENAME:	WOODBINE MFG. CO.	
							SYMBOLY PER ANSI Y14.5	BUS BROWN DRIVE	
						DECIMAL	2PLC	3PLC	NOTES:
						MACHINE SAW, DRILL	.030	.015	DRAWN BY. DJR
						SHEAR, PUNCH FORM	.060	.030	DRAWN/DATE 12/15/03
						TORCH, WELDING ROUGH CAST	.090	.060	APPVD/DATE
						DRAFT 2'	ANGULAR ±1'	SALES CATEGORY 45	TITLE 4"SGL(5/16")GROOVE REPL PULLEY KIT w/3/4"UPRIGHT PIN
							PRODUCT LINE 8950	SCALE N	FIN. WT.
									PART NO. 4184

712-647-2050

THE INFORMATION HERE IS CONFIDENTIAL AND MUST NOT BE USED IN ANYWAY DETRIMENTAL TO THE INTEREST OF WOODBINE MFG.