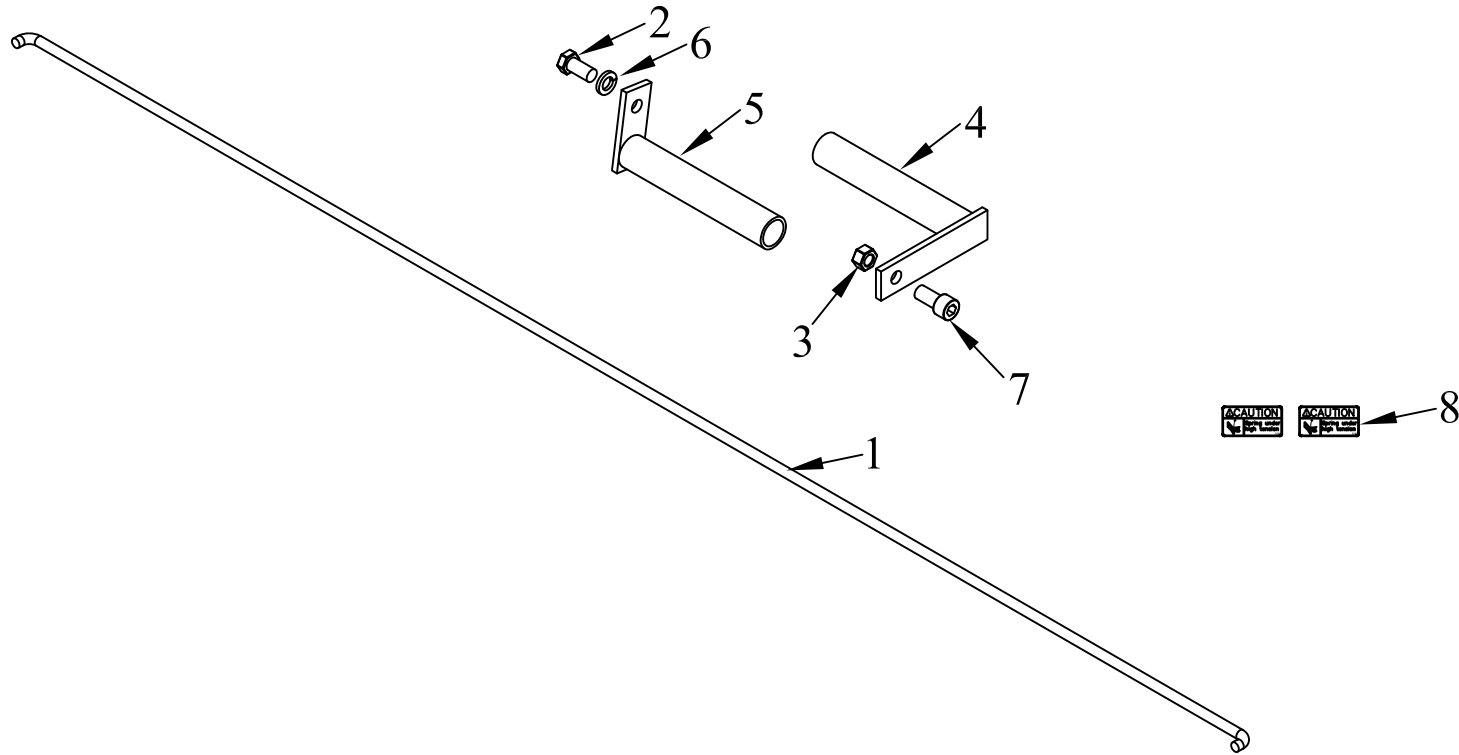


ITEM NO.	QTY.	PART NO.	DESCRIPTION
1	1	007867	.38"x47.688" TORSION SPRING(48EA)
2	1	000587	1/2-13x1" HHCS GR5
3	1	000588	1/2-13 CROWN LOCK NUT
4	1	007709	HINGE TUBE SPRING HOLDER-40EA PASS
5	1	007778	HINGE TUBE SPRING HOLDER-EA DRIVER
6	1	000573	1/2" SPRING LOCKWASHER
7	1	000604	1/2-13x1"USS SOC HD CAP STAINLESS
8	2	009540	WARNING DECAL - SPRING TENSION
9	1	095064	PLATFORM AND/OR TORSION SPRING (CABLE/G2)



			THIRD ANGLE PROJECTION			FILENAME:			WOODBINE MFG. CO. BUS BROWN DRIVE WOODBINE, IOWA 51579																	
						SYMBOLY PER ANSI Y14.5			NOTES:																	
			<table border="1"> <tr> <td>DECIMAL</td> <td>2PLC</td> <td>3PLC</td> </tr> <tr> <td>MACHINE SAW, DRILL</td> <td>.030</td> <td>.015</td> </tr> <tr> <td>SHEAR, PUNCH FORM</td> <td>.060</td> <td>.030</td> </tr> <tr> <td>TORCH, WELDING ROUGH CAST</td> <td>.090</td> <td>.060</td> </tr> </table>			DECIMAL	2PLC	3PLC	MACHINE SAW, DRILL	.030	.015	SHEAR, PUNCH FORM	.060	.030	TORCH, WELDING ROUGH CAST	.090	.060	DRAWN BY. DJR			DRAWN/DATE 7/12/04			712-647-2050 The original hydraulic lift		
DECIMAL	2PLC	3PLC																								
MACHINE SAW, DRILL	.030	.015																								
SHEAR, PUNCH FORM	.060	.030																								
TORCH, WELDING ROUGH CAST	.090	.060																								
						APPVD/DATE			THE INFORMATION HERE IS CONFIDENTIAL AND MUST NOT BE USED IN ANYWAY DETRIMENTAL TO THE INTEREST OF WOODBINE MFG.																	
B	3/29/11	ADDED (2) 9540, (1) 95064; REPLACED 551 WITH 588	JCB		427	TITLE EA TORSION SPRING KIT(48)																				
REV.	DATE	CHANGE RECORD	BY	APPVD	ECN	DRAFT 2*	ANGULAR ±1*	SALES CATEGORY	PRODUCT LINE	SCALE N	FIN. WT.	PART NO. 8024														