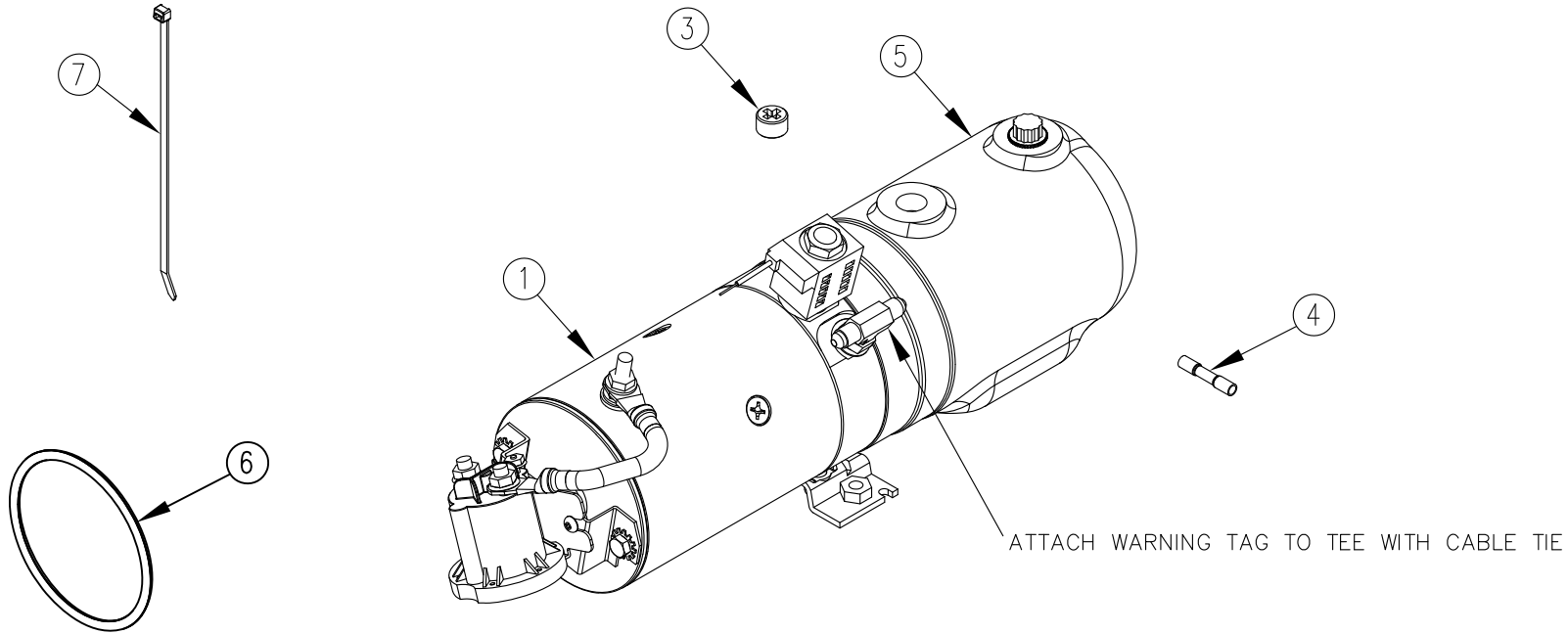
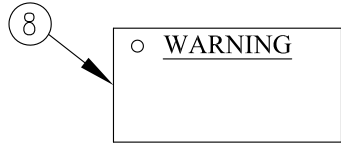


ITEM NO.	QTY.	PART NO.	DESCRIPTION
1	1	10165	MONARCH UNIT 319-0520 (2500) 24V 1650 G2
2	0.335 GAL.	1092	TOMMY GATE WINTER GRADE OIL
3	1	4403*	VENT PLUG
4	1	9089	16-14 HEAT SHRINK BUTT CONNECTOR
5	1	4304**	MONARCH PLASTIC TANK (1-1/2QT)
6	1	4319	MONARCH 4-1/4" TANK O-RING
7	1	9077	3/16"x7-1/2" CABLE TIE
8	1	14839	VENT PLUG WARNING TAG
9	1	95048	REPLACEMENT POWER UNIT INSTALLATION INSTR.

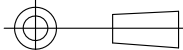
*ACCOUNTING-DO NOT USE FOR B.O.M.

**PN004331 3QT TANK WILL GO TO STOCK AND BE REPLACED ON THIS UNIT BY TANK LISTED



REV.	DATE	CHANGE RECORD	BY	APPVD	ECN	DRAFT	ANGULAR	SALES CATEGORY	PRODUCT LINE	SCALE	FIN. WT.	PART NO.
A	10/17/24	RELEASED TO PRODUCTION	AAS		3061	2'	±1'			1:4		18416

THIRD ANGLE PROJECTION



DECIMAL	2PLC	3PLC
MACHINE SAW, DRILL	.030	.015
SHEAR, PUNCH FORM	.060	.030
TORCH, WELDING ROUGH CAST	.090	.060

FILENAME:

SYMBOLY PER ANSI Y14.5

DRAWN BY:
AAS

DRAWN/DATE
10/17/24

APPVD/DATE

TITLE

NOTES:

WOODBINE MFG. CO.
BUS BROWN DRIVE
WOODBINE, IOWA 51579



THE INFORMATION HERE IS CONFIDENTIAL AND MUST NOT BE USED IN ANYWAY DETRIMENTAL TO THE INTEREST OF WOODBINE MFG.

REPLACEMENT 1342 G2 24V PUMP & MOTOR UNIT W/WINTER GRADE OIL (2300PSI)