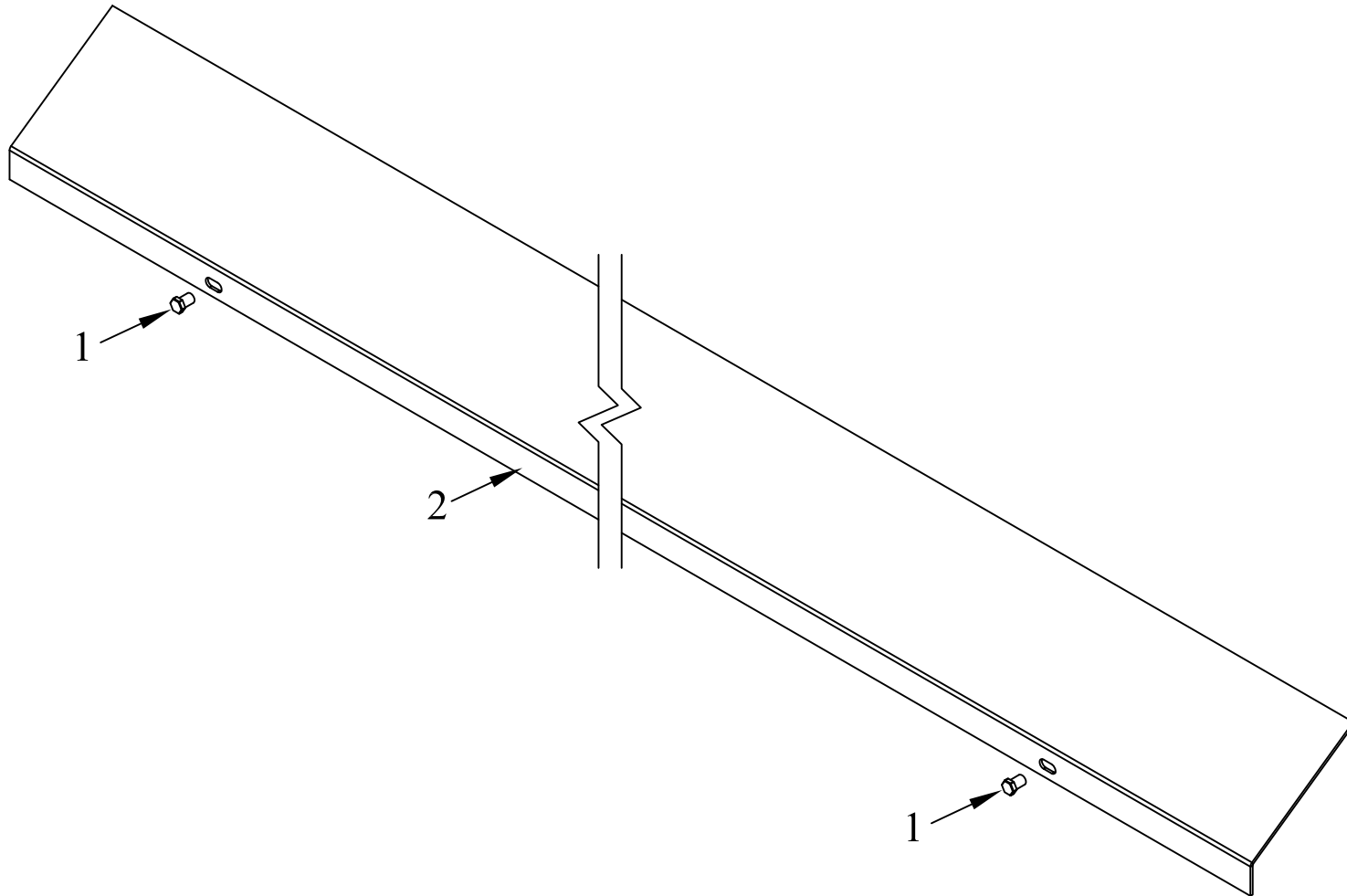


ITEM NO.	QTY.	PART NO.	DESCRIPTION
1	2	000506	5/16-18X1/2' HHCS GRADE 5 BOLT
2	1	004992	12GAx7"x83.19'BOX COVER(86)



REV.	DATE	CHANGE RECORD	BY	APPVD	ECN	DRAFT	ANGULAR	SALES CATEGORY	PRODUCT LINE	SCALE	FIN. WT.	PART NO.
						2'	±1'	45	8950	N		4967

THIRD ANGLE PROJECTION	FILENAME:	WOODBINE MFG. CO.
	SYMBOLY PER ANSI Y14.5	BUS BROWN DRIVE
DECIMAL	2PLC	3PLC
MACHINE SAW, DRILL	.030	.015
SHEAR, PUNCH FORM	.060	.030
TORCH, WELDING ROUGH CAST	.090	.060
DRAWN BY. DJR	DRAWN/DATE 12/15/03	NOTES:
APPVD/DATE	TITLE	712-647-2050
	REPLACEMENT BOX COVER(86)	
		THE INFORMATION HERE IS CONFIDENTIAL AND MUST NOT BE USED IN ANYWAY DETRIMENTAL TO THE INTEREST OF WOODBINE MFG.