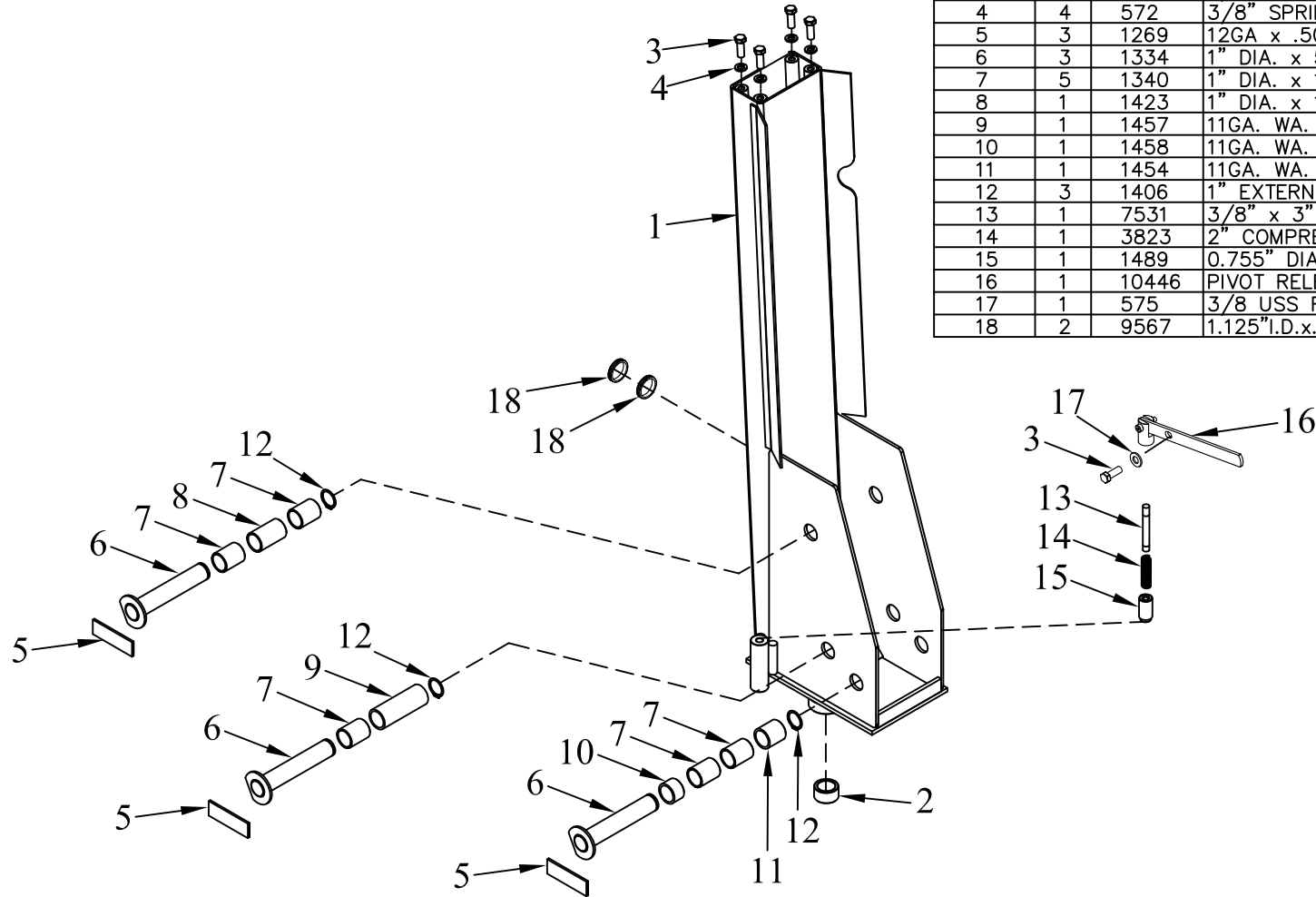


| ITEM NO. | QTY. | PART NO. | DESCRIPTION                                   |
|----------|------|----------|---|
| 1        | 1    | 1392     | SUPPORT TUBE ASSEMBLY                         |
| 2        | 1    | 1435     | 1" I.D. x 1.38" O.D. x .75" BRONZE BUSHING    |
| 3        | 5    | 509      | 3/8-16x1" HHCS GR5                            |
| 4        | 4    | 572      | 3/8" SPRING LOCK WASHER                       |
| 5        | 3    | 1269     | 12GA x .50" x 1.50" PIN STOP                  |
| 6        | 3    | 1334     | 1" DIA. x 5.75" PIN w/ WELDED LUG             |
| 7        | 5    | 1340     | 1" DIA. x 1.19" x 1.5" BRONZE BUSHING         |
| 8        | 1    | 1423     | 1" DIA. x 1.19" x 2" BRONZE BUSHING           |
| 9        | 1    | 1457     | 11GA. WA. x 1.25" O.D. x 3.44" SPACER         |
| 10       | 1    | 1458     | 11GA. WA. x 1.25" O.D. x 0.75" SPACER         |
| 11       | 1    | 1454     | 11GA. WA. x 1.25" O.D. x 1.25" SPACER         |
| 12       | 3    | 1406     | 1" EXTERNAL SNAP RING (5100-1.00)             |
| 13       | 1    | 7531     | 3/8" x 3" STUD FOR PIVOT LATCH (650)          |
| 14       | 1    | 3823     | 2" COMPRESSION SPRING                         |
| 15       | 1    | 1489     | 0.75" DIA. x 1.50" THD LATCH PIN (650)        |
| 16       | 1    | 10446    | PIVOT RELEASE LEVER ASSEMBLY (650)            |
| 17       | 1    | 575      | 3/8 USS FLAT WASHER                           |
| 18       | 2    | 9567     | 1.125" I.D. x .24" WIDE SPLIT PLASTIC GROMMET |



| REV. | DATE    | CHANGE RECORD                                | BY  | APPVD | ECN | THIRD ANGLE PROJECTION  | FILENAME:                    | SYMBOLY PER ANSI Y14.5       | NOTES:  | WOODBINE MFG. CO.<br>BUS BROWN DRIVE<br>WOODBINE, IOWA 51579 |  |
|------|---------|--|-----|-------|-----|---|------------------------------|------------------------------|---|--|--|
| C    | 2/12/13 | ADDED (2) 9567                               | JCB |       | 839 |   |                              |                              |   |  |  |
| B    | 1/12/10 | LISTED PARTS INDIVIDUALLY INSTEAD OF AS KITS | MTC |       | 253 | DECIMAL<br>MACHINE SAW, DRILL<br>SHEAR, PUNCH FORM<br>TORCH, WELDING ROUGH CAST | 2PLC<br>.030<br>.060<br>.090 | 3PLC<br>.015<br>.030<br>.060 | DRAWN BY:<br>DJR<br>DRAWN/DATE<br>7/25/05<br>APPVD/DATE |  | 712-647-2050<br>THE INFORMATION HERE IS CONFIDENTIAL AND MUST NOT BE USED IN ANYWAY DETRIMENTAL TO THE INTEREST OF WOODBINE MFG. |
| A    | 6/12/08 | ADDED PN 1269                                | LSB | LSB   |     | DRAFT 2'  | ANGULAR ±1'                  | SALES CATEGORY               | TITLE<br>REPLACEMENT 650 SUPPORT TUBE ASSEMBLY          |  |  |
|      |         |  |     |       |     |   |                              | PRODUCT LINE                 | SCALE<br>1:10   |  | FIN. WT.   |