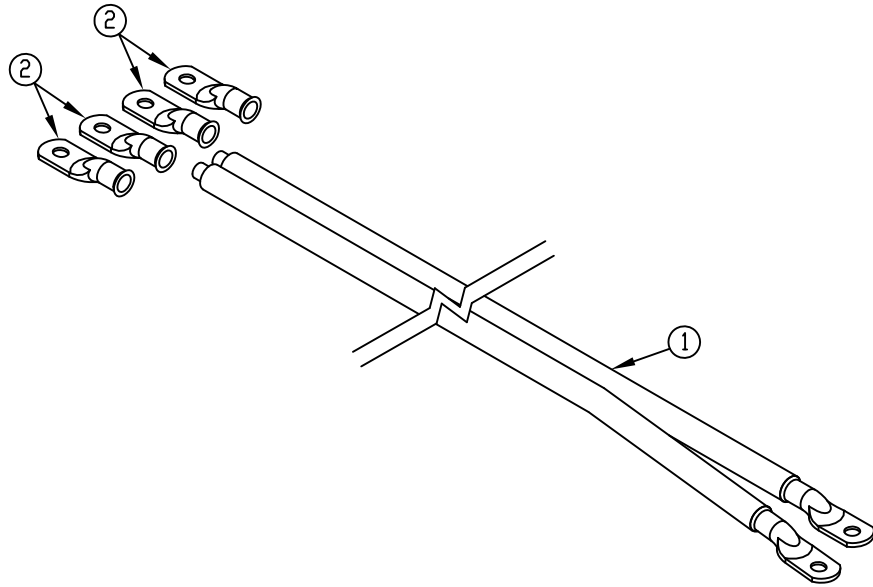



ITEM NO.	QTY.	PART NO.	DESCRIPTION
1	1	010403	2 GA 2 WIRE CABLE W-LUGS - 33 FT
2	4	004691	COPPER LUG - 5/16 EYE



REV.	DATE	CHANGE RECORD	BY	APPVD	ECN	THIRD ANGLE PROJECTION	FILENAME:	SYMBOLY PER ANSI Y14.5	NOTES:	WOODBINE MFG. CO. BUS BROWN DRIVE WOODBINE, IOWA 51579 712-647-2050																											
A	11/4/11	RELEASED TO PRODUCTION	JAR		539	<table border="1"> <thead> <tr> <th>DECIMAL</th> <th>2PLC</th> <th>3PLC</th> </tr> </thead> <tbody> <tr> <td>MACHINE SAW, DRILL</td> <td>.030</td> <td>.015</td> </tr> <tr> <td>SHEAR, PUNCH FORM</td> <td>.060</td> <td>.030</td> </tr> <tr> <td>TORCH, WELDING ROUGH CAST</td> <td>.090</td> <td>.060</td> </tr> </tbody> </table>	DECIMAL	2PLC	3PLC	MACHINE SAW, DRILL	.030	.015	SHEAR, PUNCH FORM	.060	.030	TORCH, WELDING ROUGH CAST	.090	.060	<table border="1"> <thead> <tr> <th>DRAWN BY.</th> <th>DRAWN/DATE</th> <th>APPVD/DATE</th> </tr> </thead> <tbody> <tr> <td>JAR</td> <td>11/4/11</td> <td></td> </tr> </tbody> </table>	DRAWN BY.	DRAWN/DATE	APPVD/DATE	JAR	11/4/11		<table border="1"> <thead> <tr> <th>SALES CATEGORY</th> <th>PRODUCT LINE</th> <th>SCALE</th> <th>FIN. WT.</th> <th>PART NO.</th> </tr> </thead> <tbody> <tr> <td></td> <td></td> <td>1:6</td> <td></td> <td>11803</td> </tr> </tbody> </table>	SALES CATEGORY	PRODUCT LINE	SCALE	FIN. WT.	PART NO.			1:6		11803	<p>THE INFORMATION HERE IS CONFIDENTIAL AND MUST NOT BE USED IN ANYWAY DETRIMENTAL TO THE INTEREST OF WOODBINE MFG.</p> 
DECIMAL	2PLC	3PLC																																			
MACHINE SAW, DRILL	.030	.015																																			
SHEAR, PUNCH FORM	.060	.030																																			
TORCH, WELDING ROUGH CAST	.090	.060																																			
DRAWN BY.	DRAWN/DATE	APPVD/DATE																																			
JAR	11/4/11																																				
SALES CATEGORY	PRODUCT LINE	SCALE	FIN. WT.	PART NO.																																	
		1:6		11803																																	