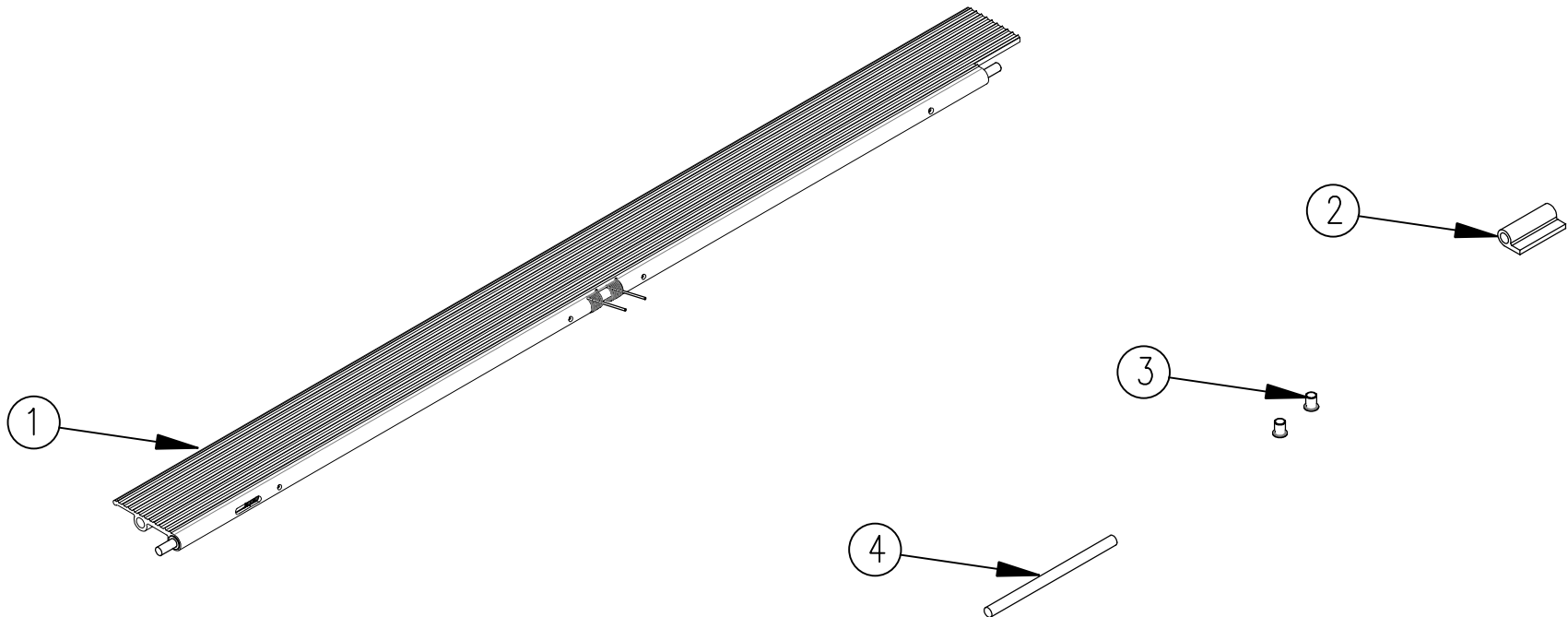


ITEM NO.	QTY.	PART NO.	DESCRIPTION
1	1	014463	CART STOP FLIPPER ASSEMBLY (TKT) LEFT
2	1	013418	CART STOP HALF BUSHING
3	2	014465	3/8" x 5/16" x 1/2" PLASTIC FLANGE BUSHING
4	1	013532	.38"DIA.x6"STAINLESS STEEL ROD
5	1	095179	REMOVABLE CART STOP (IN TAPER) REPL. INSTR.



REV.	DATE	CHANGE RECORD	BY	APPVD	ECN	DRAFT	ANGULAR	SCALE	FIN. WT.	PART NO.
C	5/6/16	ADDED PN013532	MTC		1633	2"	±1°	1:6		14327
B	8/7/15	REMOVED 11663, 11665, 10646, 10373, AND 95166; ADDED 14463, 14465, AND 95179	GDB		1331					
A	3/5/15	RELEASED TO PRODUCTION	GDB		1338					

THIRD ANGLE PROJECTION

SYMBOLY PER ANSI Y14.5

NOTES:

DECIMAL MACHINE SAW, DRILL .030 .015

2PLC 3PLC

SHEAR, PUNCH FORM .060 .030

TORCH, WELDING ROUGH CAST .090 .060

DRAWN BY: GDB

DRAWN/DATE: 3/5/15

TITLE: REPLACEMENT TKT LEFT CART STOP

WOODBINE MFG. CO.  
BUS BROWN DRIVE  
WOODBINE, IOWA 51579

THE INFORMATION HERE IS CONFIDENTIAL AND MUST NOT BE USED IN ANYWAY DETRIMENTAL TO THE INTEREST OF WOODBINE MFG.