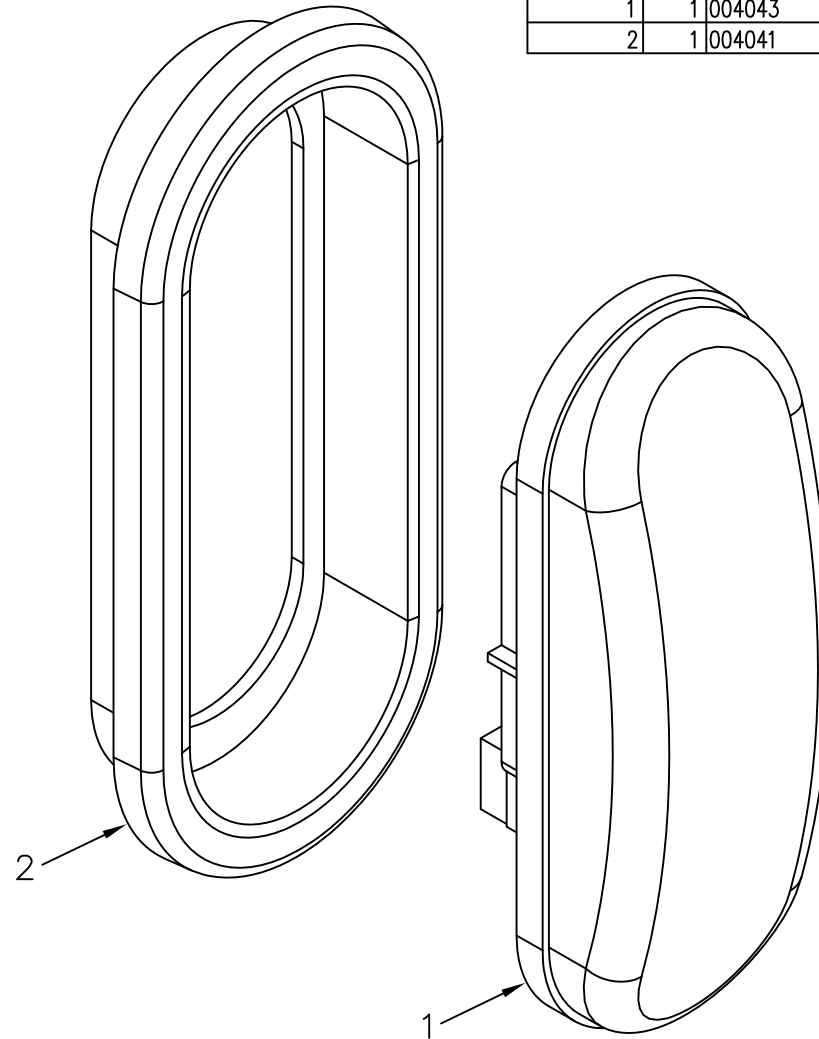


ITEM NO.	QTY.	PART NO.	DESCRIPTION
1	1	004043	RECESSED OVAL RED LIGHT ONLY - ECONO 60 (12VDC)
2	1	004041	BLACK GROMMET - ECONO 60



REV.		DATE	CHANGE RECORD	BY	APPVD	ECN	THIRD ANGLE PROJECTION	FILENAME:	WOODBINE MFG. CO. BUS BROWN DRIVE WOODBINE, IOWA 51579				
								SYMBOLY PER ANSI Y14.5		<b>NOTES:</b> _____ _____ _____ _____ _____ _____			
								DECIMAL	2PLC		3PLC	DRAWN BY: <b>DJR</b>	
							MACHINE SAW, DRILL	.030	.015		DRAWN/DATE <b>8/4/03</b>		
D	11/9/10		REMOVED 4040	JCB		365	SHEAR, PUNCH FORM	.060	.030			712-647-2050	
C	6/19/07		UPDATED PART INFORMATION	MTC	KGJ		TORCH, WELDING ROUGH CAST	.090	.060	THE INFORMATION HERE IS CONFIDENTIAL AND MUST NOT BE USED IN ANYWAY DETRIMENTAL TO THE INTEREST OF WOODBINE MFG.			
							DRAFT 2°	ANGULAR ±1°	SALES CATEGORY	PRODUCT LINE	SCALE	FIN. WT.	PART NO.
											N	0.81	928