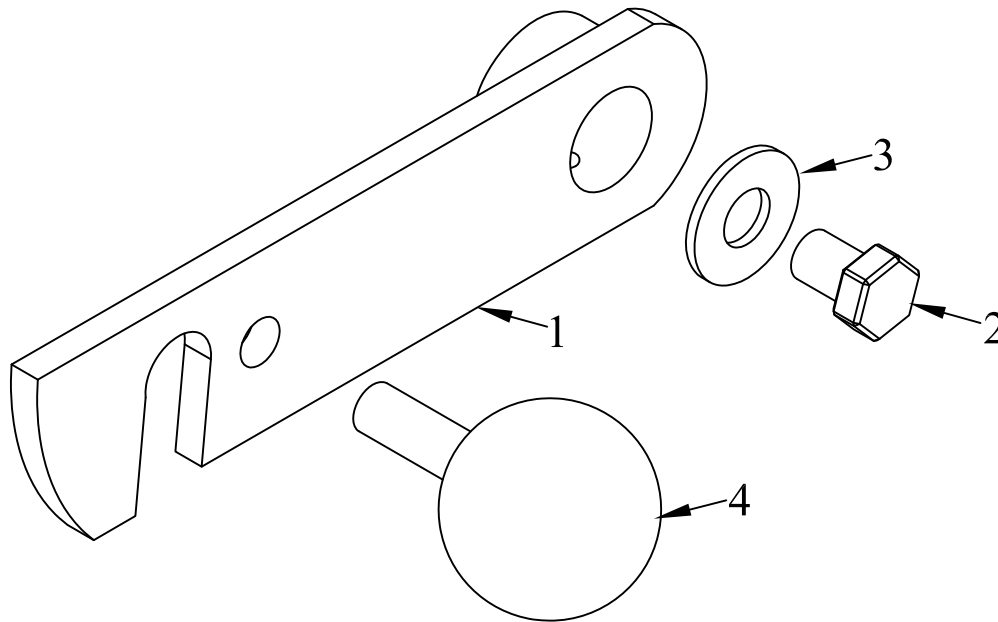


ITEM NO.	QTY.	PART NO.	DESCRIPTION
1	1	006935	COMP CURB REG .25"X1.5"X6.38'
2	1	000507	3/8-16x1/2"HHCS GR5
3	1	000575	3/8 USS FLAT WASHER
4	1	001127	LATCH KNOB WITH STUD



REV.	DATE	CHANGE RECORD	BY	APPVD	ECN	DRAFT	ANGULAR	SALES CATEGORY	PRODUCT LINE	SCALE	FIN. WT.	PART NO.	
						2'	±1'	45	8950	N		1071	
						THIRD ANGLE PROJECTION 		FILENAME: SYMBOLY PER ANSI Y14.5		NOTES: _____ _____ _____ _____		WOODBINE MFG. CO. BUS BROWN DRIVE WOODBINE, IOWA 51579 712-647-2050	
						DECIMAL    2PLC    3PLC MACHINE SAW, DRILL    .030    .015		DRAWN BY. DJR				THE ORIGINAL TOMMY GATE hydraulic lift THE INFORMATION HERE IS CONFIDENTIAL AND MUST NOT BE USED IN ANYWAY DETRIMENTAL TO THE INTEREST OF WOODBINE MFG.	
						SHEAR, PUNCH FORM    .060    .030		DRAWN/DATE 12/8/03					
						TORCH, WELDING ROUGH CAST    .090    .060		APPVD/DATE TITLE PASSENGER'S SIDE LATCH KIT(FIXED)					