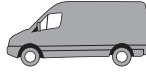


DETAILED LIFTGATE DIMENSIONS



CARGO VAN

**CASSETTE
LIFTGATE**

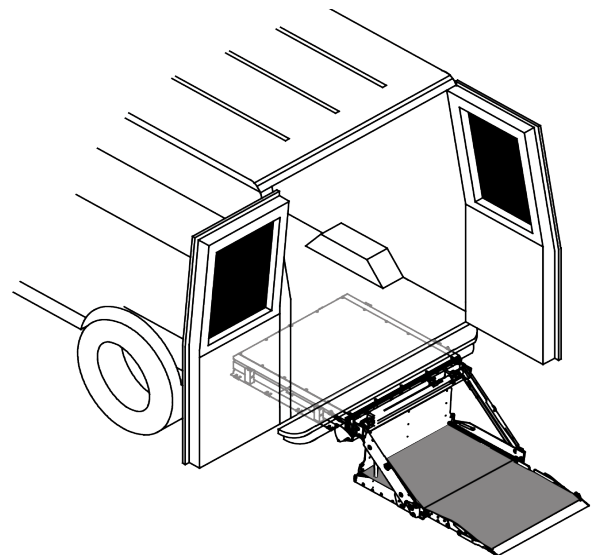


						A	B	C	D	E	F	G
	Gate Weight											
	Lifting Capacity											
	Flat Loading Width											
	Overall Liftgate Height											
	Overall Liftgate Width											
	Height of Retention Ramp Above Platform											
	Platform Depth											
	Flatloading Taper											
CST-44-7039 EA47	320	700	32	6	44	37	2 1/2	47	3			

			H
	Required Lift Kit ¹		
	Departure Angle (degrees)		
	Bracket Kit Number		
Ford Transit Non-Extended 150/ 250/ 350	17007	13°	17697
Ford Transit Extended 250/ 350	17007	8°	17697
Chevy Express/ Savana	17940	12°	17720
Sprinter 170" WB Non-Extended 2500	-	10°	17915
Sprinter 170" WB Extended 2500/3500/4500	-	8°	17915

- not required

NOTES 1. Lift Kits add 2-inches to vehicle clearance. A rear lift kit is required on applications with rear bumper ground clearance less than 18". Other aftermarket lift kits may also work.



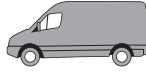
Tommy Gate® liftgates are industrial products for material handling only and are not to be used as personnel or wheelchair lifts. For safe handling and operating instructions, visit www.tommygate.com.

DETAILED LIFTGATE DIMENSIONS

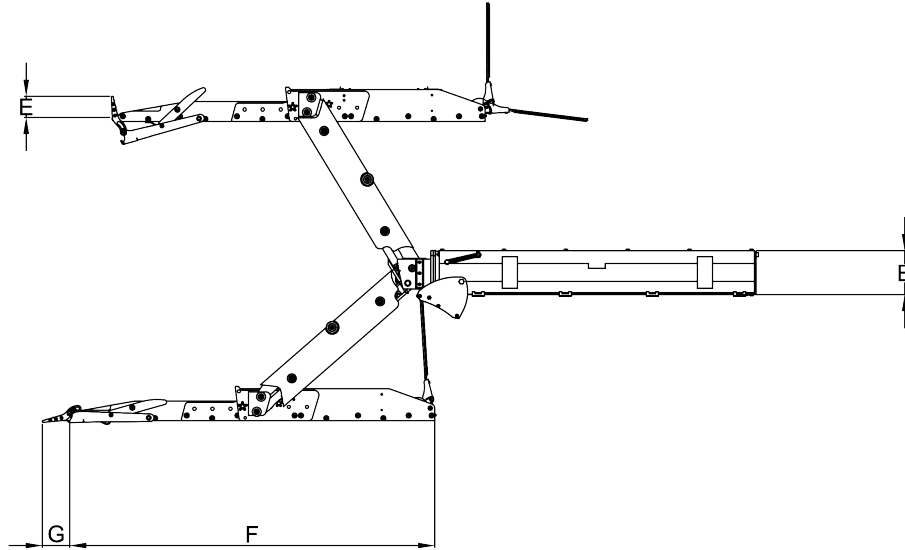


CARGO VAN

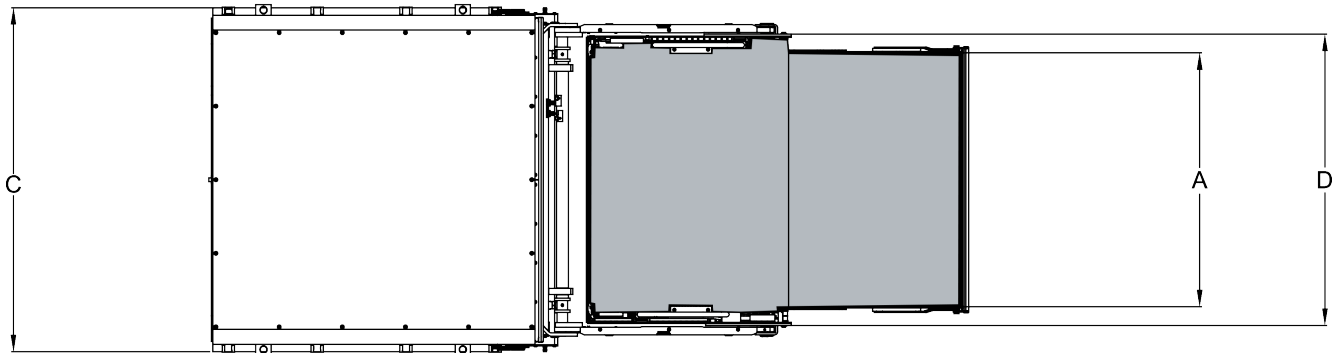
**CASSETTE
LIFTGATE**



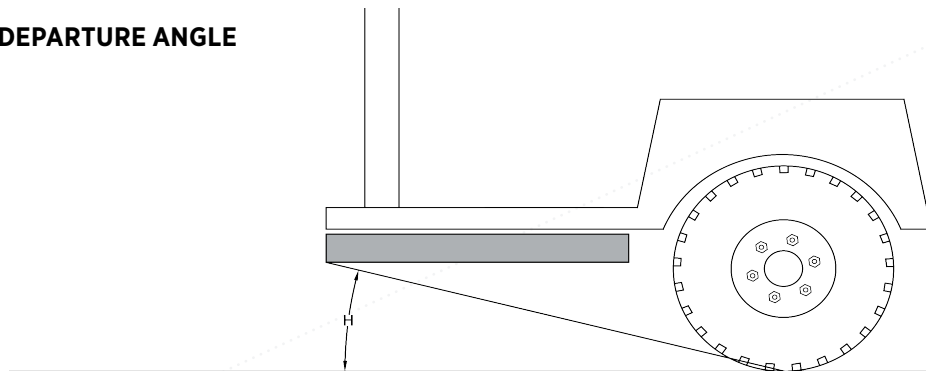
SIDE VIEW



TOP VIEW



DEPARTURE ANGLE



Tommy Gate® liftgates are industrial products for material handling only and are not to be used as personnel or wheelchair lifts. For safe handling and operating instructions, visit www.tommygate.com.

© 2025 Woodbine Manufacturing Company, Inc. All rights reserved.