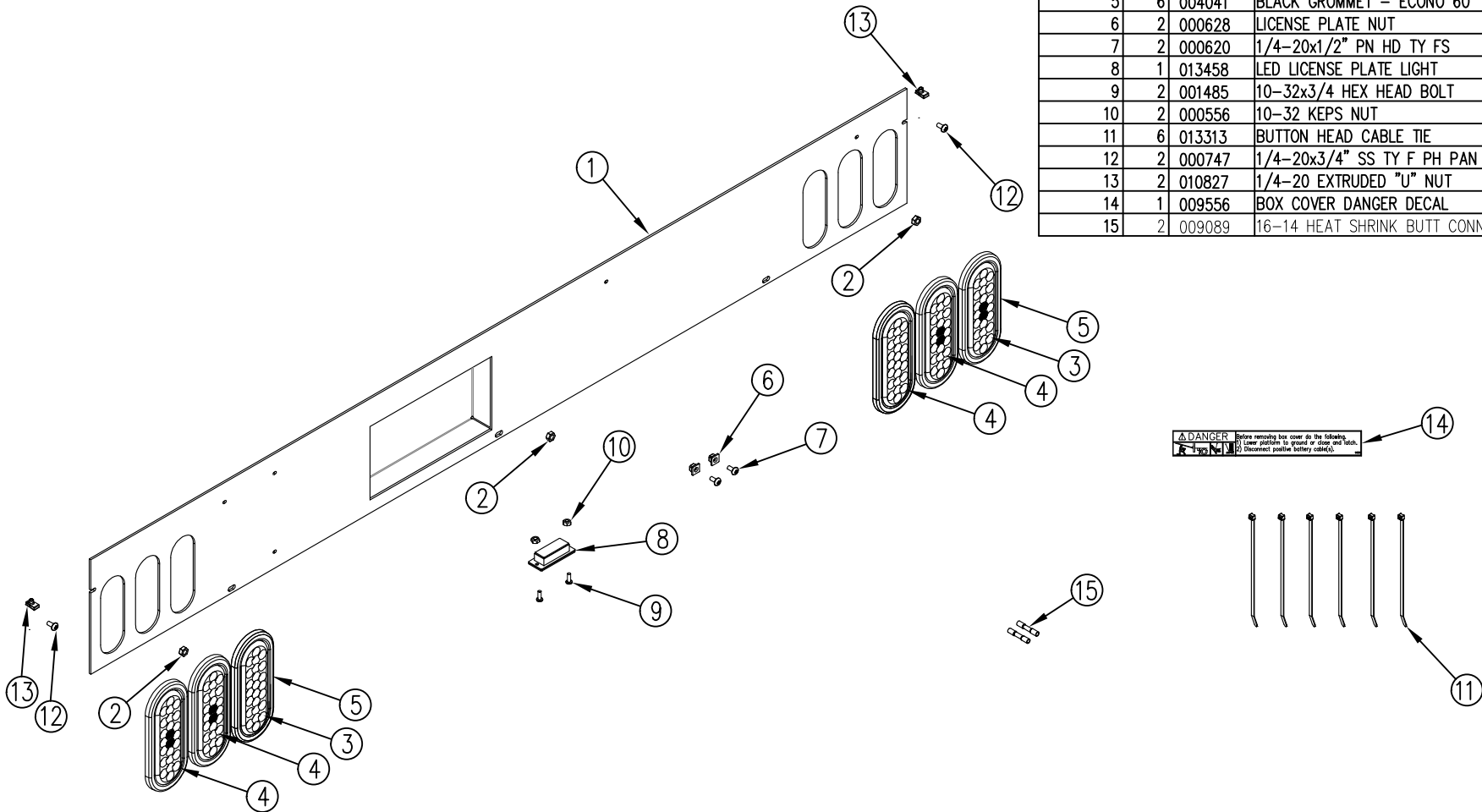


ITEM NO.	QTY.	PART NO.	DESCRIPTION
1	1	012908	89 AL RAIL BOX COVER WLDMT (TX) (SC)
2	3	000631	5/16-18 SERRATED FLANGENUT (WHIZLOCK)
3	2	004119	RAIL CLEAR LIGHT 12-VOLT (LED)
4	4	004046	RAIL RED LIGHT 12-VOLT (LED)
5	6	004041	BLACK GROMMET - ECONO 60
6	2	000628	LICENSE PLATE NUT
7	2	000620	1/4-20x1/2" PN HD TY FS
8	1	013458	LED LICENSE PLATE LIGHT
9	2	001485	10-32x3/4 HEX HEAD BOLT
10	2	000556	10-32 KEPS NUT
11	6	013313	BUTTON HEAD CABLE TIE
12	2	000747	1/4-20x3/4" SS TY F PH PAN HD
13	2	010827	1/4-20 EXTRUDED "U" NUT
14	1	009556	BOX COVER DANGER DECAL
15	2	009089	16-14 HEAT SHRINK BUTT CONNECTOR



⚠ DANGER Before removing box cover do the following:
 1. Lower platform to ground or stop, and lock.
 2. Disconnect positive battery cable(s).

REV.	DATE	CHANGE RECORD	BY	APPVD	ECN	DRAFT	ANGULAR	SALES CATEGORY	PRODUCT LINE	SCALE	FIN. WT.	PART NO.
C	5/13/15	REPLACED 9077 W/ 13313	GDB		1391	2*	±1*			1:6		013557
B	9/18/14	REPLACED INCANDESCENT LIGHTS (4042,4043) WITH LED (4119,4046)	AAS		1202							
A	2/19/14	RELEASED TO PRODUCTION	GDB		1044							
						THIRD ANGLE PROJECTION	FILENAME:		WOODBINE MFG. CO. BUS BROWN DRIVE WOODBINE, IOWA 51579			
						DECIMAL	2PLC	3PLC	SYMBOLGY PER ANSI Y14.5		NOTES:	
						MACHINE SAW,DRILL	.030	.015	DRAWN BY:		712-647-2050	
						SHEAR, PUNCH FORM	.060	.030	GDB		The original TOMMY GATE hydraulic lift	
						TORCH, WELDING ROUGH CAST	.090	.060	DRAWN/DATE		THE INFORMATION HERE IS CONFIDENTIAL AND MUST NOT BE USED IN ANYWAY DETRIMENTAL TO THE INTEREST OF WOODBINE MFG.	
									2/19/14			
									APPVD/DATE		REPLACEMENT SELF CLOSE BOX COVER (89)TX	