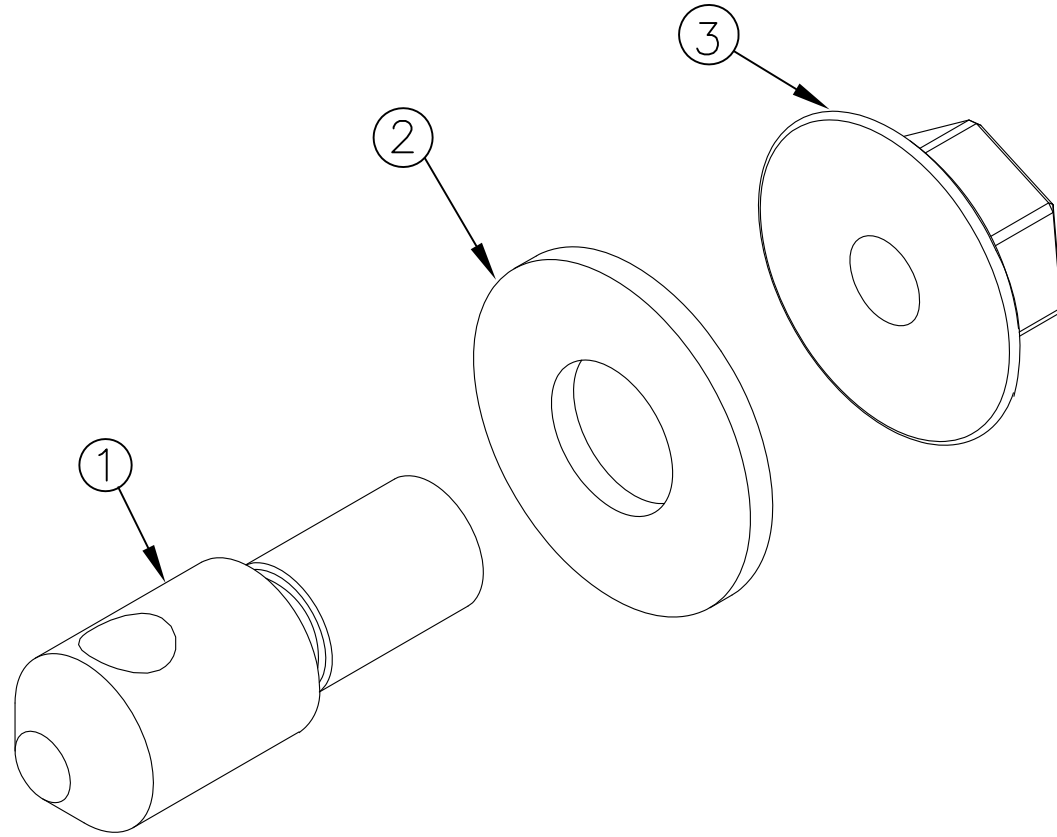


ITEM NO.	QTY.	PART NO.	DESCRIPTION
1	1	4714	PLATFORM LATCH PIN (G2)
2	1	624	5/16" USS THRU HARD WASHER
3	1	553	3/8" CROWN LOCK NUT



						THIRD ANGLE PROJECTION	FILENAME:	WOODBINE MFG. CO. BUS BROWN DRIVE WOODBINE, IOWA 51579				
							SYMBOLY PER ANSI Y14.5	NOTES:				
						DECIMAL 2PLC 3PLC	DRAWN BY.	712-647-2050				
						MACHINE SAW, DRILL .030 .015	JCB	The original TOMMY GATE hydraulic lift				
B	12/27/10	REPLACED (1) 575 WITH (1) 624	JCB		389	SHEAR, PUNCH FORM .060 .030	DRAWN/DATE 7/24/06	THE INFORMATION HERE IS CONFIDENTIAL AND MUST NOT BE USED IN ANYWAY DETRIMENTAL TO THE INTEREST OF WOODBINE MFG.				
A	7/24/06	DRAWN IN AUTOCAD	JCB	KGJ		TORCH, WELDING ROUGH CAST .090 .060	APPVD/DATE	TITLE G2 REPLACEMENT PLATFORM LATCH PIN ASSEMBLY				
REV.	DATE	CHANGE RECORD	BY	APPVD	ECN	DRAFT 2'	ANGULAR ±1°	SALES CATEGORY	PRODUCT LINE	SCALE 2:1	FIN. WT. 0.091	PART NO. 2020