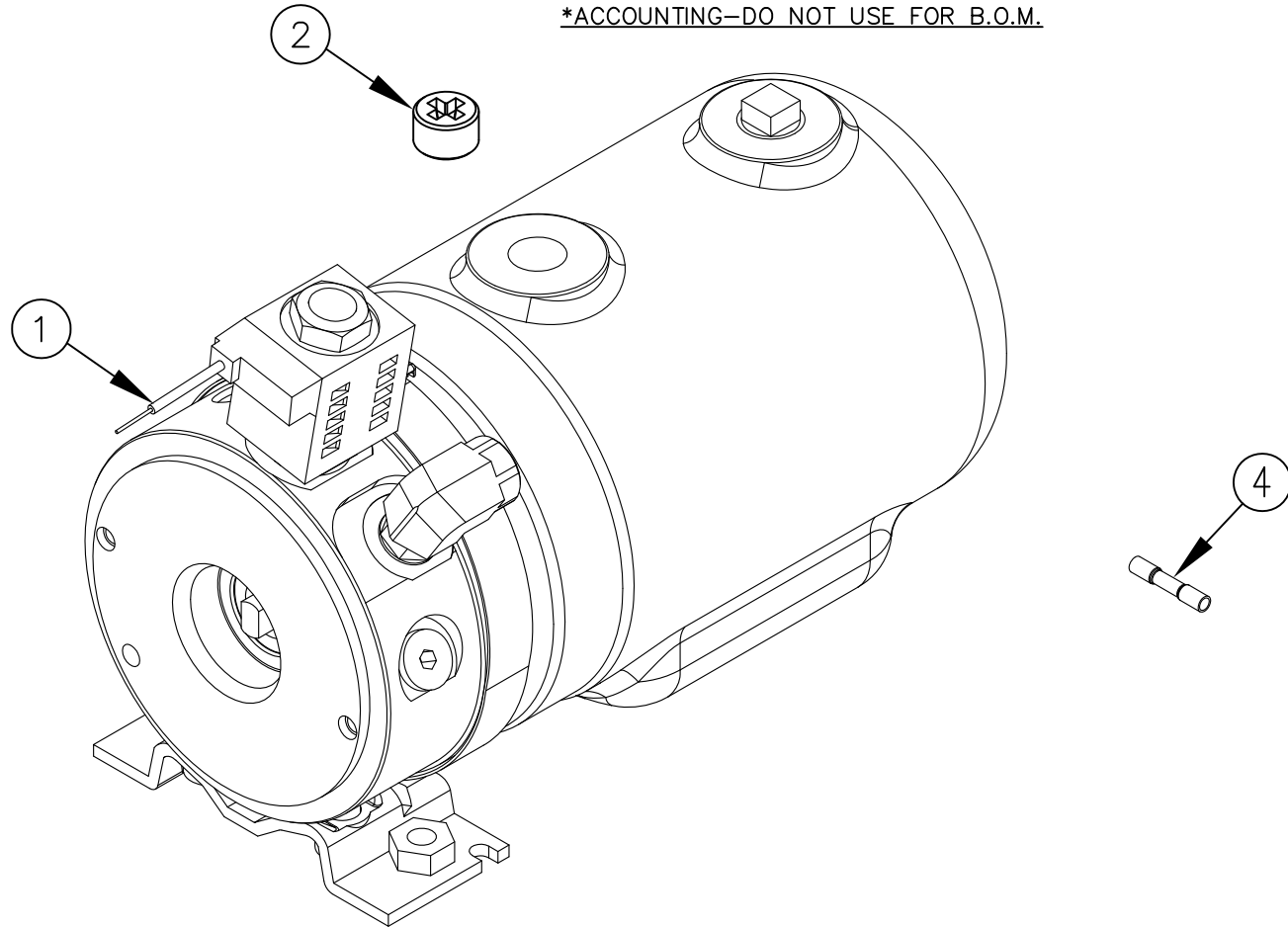


ITEM NO.	QTY.	PART NO.	DESCRIPTION
1	1	010382	MONARCH PUMP AND 1.5QT CABLE TANK (FOR REPAIR)
2	1	004403*	VENT PLUG
3	0.335 GAL.	009034	HYDRAULIC OIL
4	1	009089	16-14 HEAT SHRINK BUTT CONNECTOR

*ACCOUNTING-DO NOT USE FOR B.O.M.



				THIRD ANGLE PROJECTION			FILENAME:		WOODBINE MFG. CO. BUS BROWN DRIVE WOODBINE, IOWA 51579																	
							SYMBOLY PER ANSI Y14.5				NOTES:															
				<table border="1"> <tr> <td>DECIMAL</td> <td>2PLC</td> <td>3PLC</td> </tr> <tr> <td>MACHINE SAW, DRILL</td> <td>.030</td> <td>.015</td> </tr> <tr> <td>SHEAR, PUNCH FORM</td> <td>.060</td> <td>.030</td> </tr> <tr> <td>TORCH, WELDING ROUGH CAST</td> <td>.090</td> <td>.060</td> </tr> </table>			DECIMAL	2PLC	3PLC	MACHINE SAW, DRILL			.030	.015	SHEAR, PUNCH FORM	.060	.030	TORCH, WELDING ROUGH CAST	.090	.060	DRAWN BY. DJR		DRAWN/DATE 8/16/04		712-647-2050	
DECIMAL	2PLC	3PLC																								
MACHINE SAW, DRILL	.030	.015																								
SHEAR, PUNCH FORM	.060	.030																								
TORCH, WELDING ROUGH CAST	.090	.060																								
B 11/18/10				REPLACED 4298, 4304, AND 4350 WITH 10382; ADDED (1) 9089; CHANGED QUANTITY OF 9034 FROM 0.275 TO 0.335			JCB 370		APPVD/DATE		THE INFORMATION HERE IS CONFIDENTIAL AND MUST NOT BE USED IN ANYWAY DETRIMENTAL TO THE INTEREST OF WOODBINE MFG.															
A 9/10/08				ADDED PN 9034 TO BOM			JCB JCB		TITLE		M319 PUMP(ONLY) W/ 1.5QT TANK (3800 PSI)**1034,1036,1040															
REV. DATE				CHANGE RECORD			BY APPVD ECN		SALES CATEGORY		PRODUCT LINE		SCALE		FIN. WT.		PART NO.									
							DRAFT 2'		ANGULAR ±1'				1:2				4277									