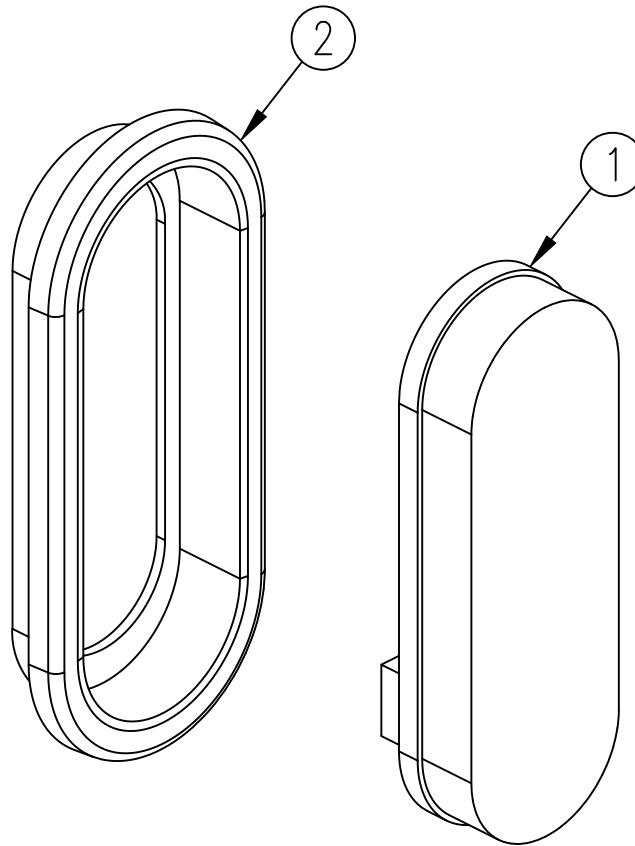
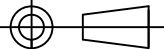



ITEM NO.	QTY.	PART NO.	DESCRIPTION
1	1	004045	RECESSED 6" OVAL RED LED LIGHT (24VDC)
2	1	004041	BLACK GROMMET - ECONO 60



				THIRD ANGLE PROJECTION 		DRAWN BY <b>MK</b>		NOTES:		WOODBINE MFG. CO. BUS BROWN DRIVE WOODBINE, IOWA 51579	
				UNLESS OTHERWISE SPECIFIED		DRAWN/DATE <b>1/17/24</b>					
				DIMENSIONS ARE IN INCHES		APPVD/DATE —		TITLE			
				TOLERANCES:		DO NOT SCALE DRAWING		<b>REPLACEMENT RED OVAL LED LIGHT W/ GROMMET (24V)</b>			
				FRACTIONAL ±1/16						SCALE	
				ANGULAR MACH ±1°				WEIGHT		18189	
				BEND ±1°				1:2			
				TWO PLACE DECIMAL ±0.030							
				THREE PLACE DECIMAL ±0.010							
				THE INFORMATION HERE IS CONFIDENTIAL AND MUST NOT BE USED IN ANY WAY DETRIMENTAL TO THE INTEREST OF WOODBINE MFG.							
A	1/17/24	RELEASED TO PRODUCTION		MK		2959					
REV.	DATE	CHANGE RECORD		BY	APPVD	ECN					