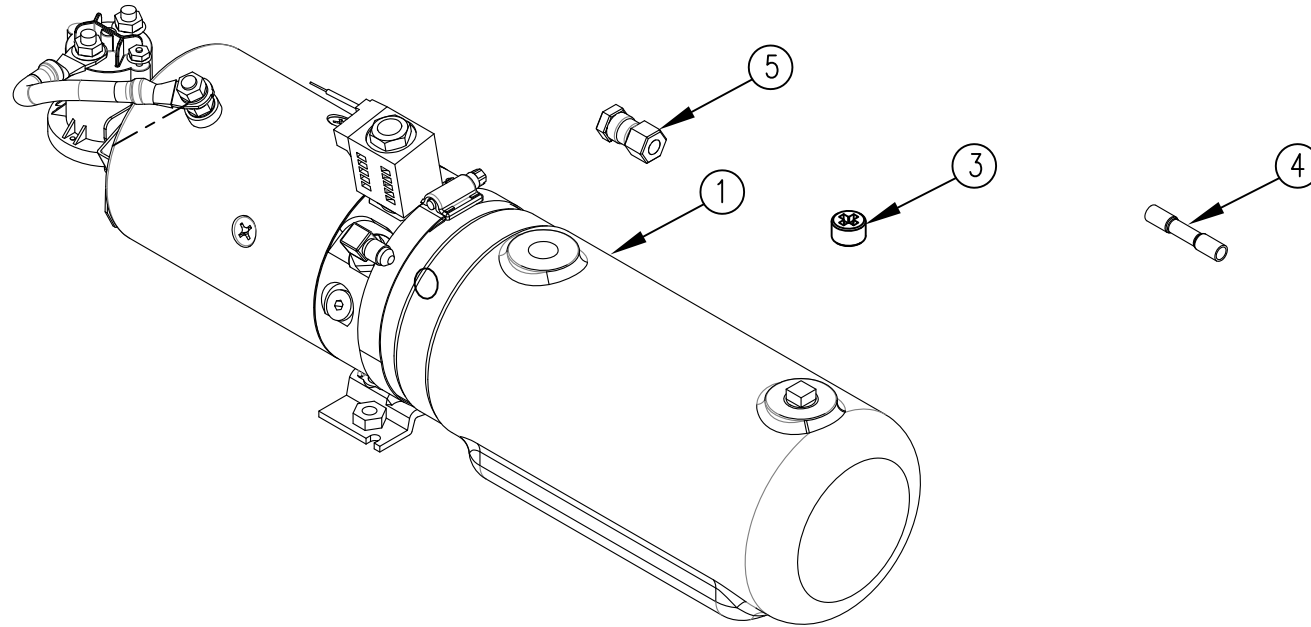


ITEM NO.	QTY.	PART NO.	DESCRIPTION
1	1	004338	MONARCH UNIT 319-0315 3QT(3000)1600
2	0.625 GAL	009034	HYDRAULIC OIL
3	1	004403*	VENT PLUG
4	1	009089	16-14 HEAT SHRINK BUTT CONNECTOR
5	1	012967	#4 FJIC TO #4 FEMALE NPT ADAPTOR (6506-4-4)
6	1	095048	REPLACEMENT POWER UNIT INSTALLATION INSTR.

* ACCOUNTING DO NOT USE FOR B.O.M.



REV.	DATE	CHANGE RECORD	BY	APPVD	ECN	THIRD ANGLE PROJECTION	FILENAME:	SYMBOLY PER ANSI Y14.5	NOTES:	WOODBINE MFG. CO. BUS BROWN DRIVE WOODBINE, IOWA 51579																		
D	11/14/13	ADDED (1) 012967	GDB		1004	<table border="1"> <tr> <td>DECIMAL</td> <td>2PLC</td> <td>3PLC</td> </tr> <tr> <td>MACHINE SAW, DRILL</td> <td>.030</td> <td>.015</td> </tr> <tr> <td>SHEAR, PUNCH FORM</td> <td>.060</td> <td>.030</td> </tr> <tr> <td>TORCH, WELDING ROUGH CAST</td> <td>.090</td> <td>.060</td> </tr> </table>	DECIMAL	2PLC	3PLC	MACHINE SAW, DRILL	.030	.015	SHEAR, PUNCH FORM	.060	.030	TORCH, WELDING ROUGH CAST	.090	.060	<table border="1"> <tr> <td>DRAWN BY.</td> <td>DJR</td> </tr> <tr> <td>DRAWN/DATE</td> <td>7/01/04</td> </tr> <tr> <td>APPVD/DATE</td> <td></td> </tr> </table>	DRAWN BY.	DJR	DRAWN/DATE	7/01/04	APPVD/DATE			712-647-2050	
DECIMAL	2PLC	3PLC																										
MACHINE SAW, DRILL	.030	.015																										
SHEAR, PUNCH FORM	.060	.030																										
TORCH, WELDING ROUGH CAST	.090	.060																										
DRAWN BY.	DJR																											
DRAWN/DATE	7/01/04																											
APPVD/DATE																												
C	7/23/10	ADDED (1) 95048	JCB		310					THE INFORMATION HERE IS CONFIDENTIAL AND MUST NOT BE USED IN ANYWAY DETRIMENTAL TO THE INTEREST OF WOODBINE MFG.																		
B	9/6/06	UPDATED BOM	JCB	KGJ						TITLE M319 REPLACEMENT PUMP&MOTOR(2000PSI)3QT. 1046-1050																		
						DRAFT 2"	ANGULAR ±1"	SALES CATEGORY	PRODUCT LINE	SCALE 1:4	FIN. WT.	PART NO. 4295																