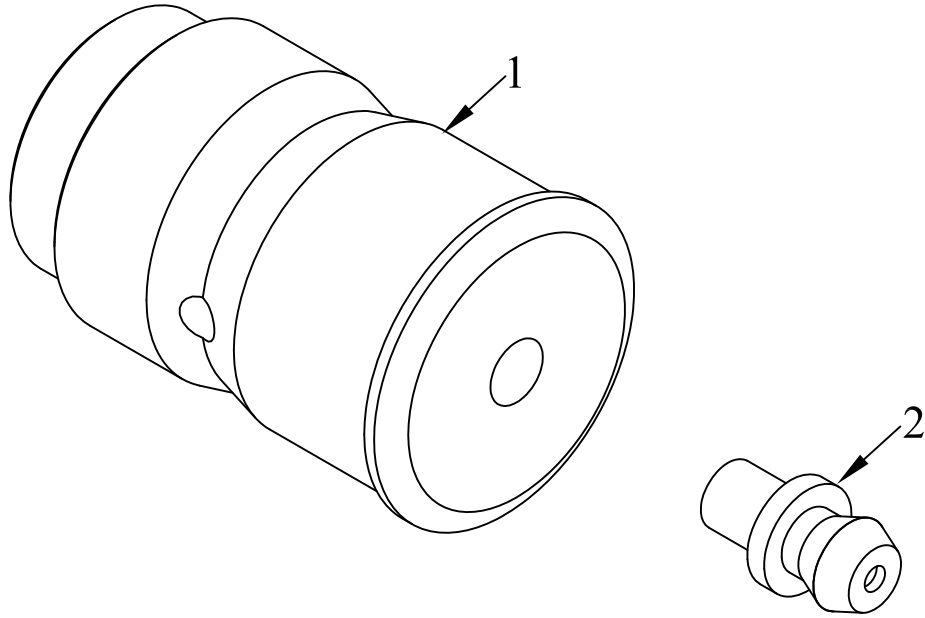


ITEM NO.	QTY.	PART NO.	DESCRIPTION
1	1	007512	.88"DIA.x1.45"ARM PIN w/GREASE HOLE
2	1	004740	3/16" STRAIGHT ZERK w/BALL



						THIRD ANGLE PROJECTION	FILENAME:	WOODBINE MFG. CO. BUS BROWN DRIVE WOODBINE, IOWA 51579			
							SYMBOLY PER ANSI Y14.5	NOTES:			
						DECIMAL	2PLC	3PLC	712-647-2050		
						MACHINE SAW, DRILL	.030	.015			
						SHEAR, PUNCH FORM	.060	.030			
						TORCH, WELDING ROUGH CAST	.090	.060			
						DRAFT 2°	ANGULAR ±1°	SALES CATEGORY 45	TITLE 7/8" ARM PIN w/ZERK(before serial #M82341 for 1000#&1300#) (before serial#M16-13066 for 1600#)		
REV.	DATE	CHANGE RECORD			BY	APPVD	ECN	PRODUCT LINE 4912	SCALE N	FIN. WT.	PART NO. 7547