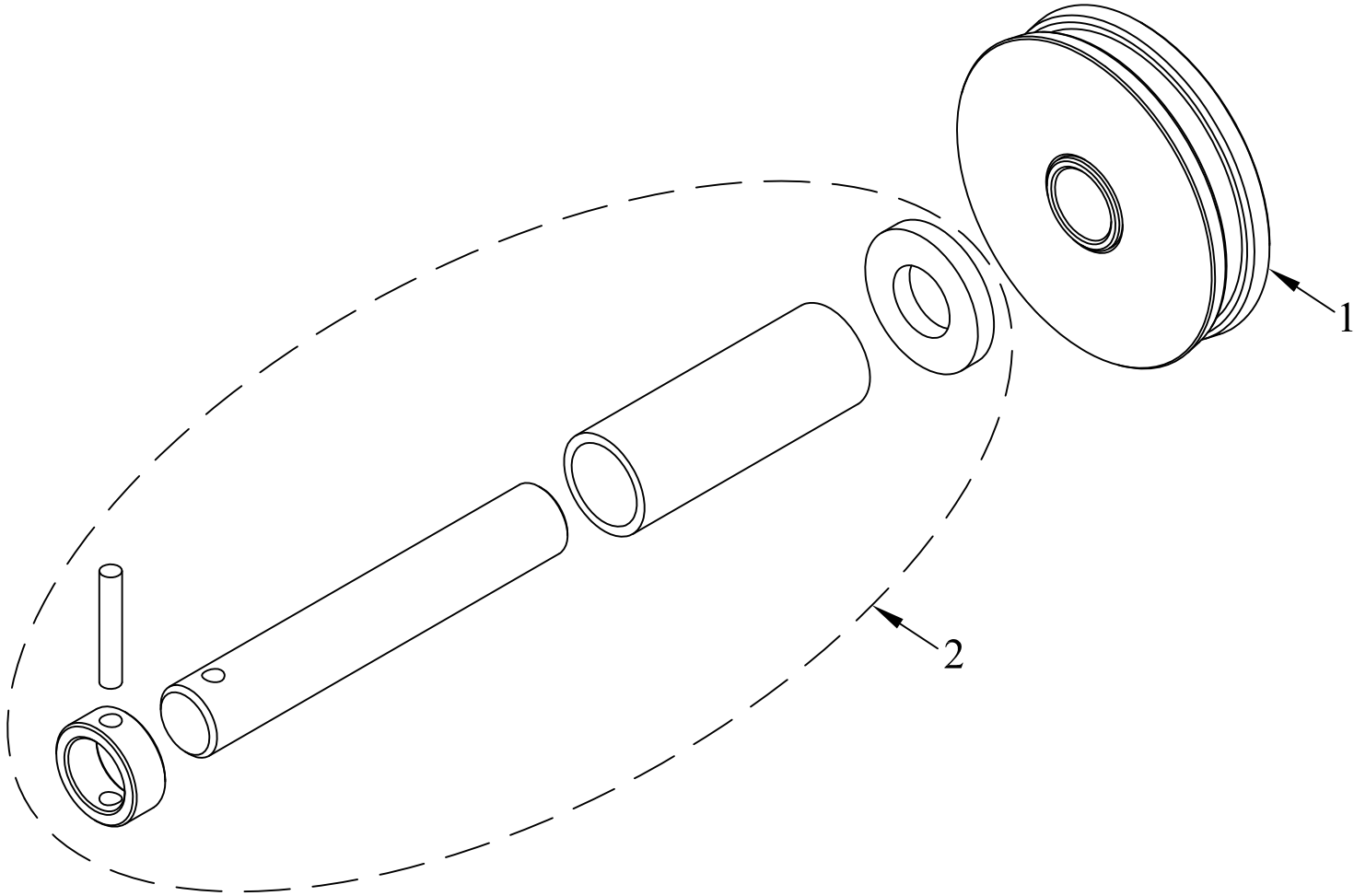


ITEM NO.	QTY.	PART NO.	DESCRIPTION
1	1	004086	4"PUL SGL(5/16")w/.88"I.D. BUSH.
2	1	004164	REPAIR HARDWARE ONLY - 7/8" PULLEY



					THIRD ANGLE PROJECTION			FILENAME:		WOODBINE MFG. CO.															
								SYMBOLY PER ANSI Y14.5		BUS BROWN DRIVE															
					<table border="1"> <tr> <td>DECIMAL</td> <td>2PLC</td> <td>3PLC</td> </tr> <tr> <td>MACHINE SAW, DRILL</td> <td>.030</td> <td>.015</td> </tr> <tr> <td>SHEAR, PUNCH FORM</td> <td>.060</td> <td>.030</td> </tr> <tr> <td>TORCH, WELDING ROUGH CAST</td> <td>.090</td> <td>.060</td> </tr> </table>			DECIMAL	2PLC	3PLC	MACHINE SAW, DRILL	.030	.015	SHEAR, PUNCH FORM	.060	.030	TORCH, WELDING ROUGH CAST	.090	.060	DRAWN BY. DJR		NOTES:		WOODBINE, IOWA 51579	
DECIMAL	2PLC	3PLC																							
MACHINE SAW, DRILL	.030	.015																							
SHEAR, PUNCH FORM	.060	.030																							
TORCH, WELDING ROUGH CAST	.090	.060																							
								DRAWN/DATE 12/12/03		712-647-2050															
								APPVD/DATE																	
B	2/4/10	COMBINED PARTS INTO 4164 KIT			JCB		263	TITLE		THE INFORMATION HERE IS CONFIDENTIAL AND MUST NOT BE USED IN ANYWAY DETRIMENTAL TO THE INTEREST OF WOODBINE MFG.															
REV.	DATE	CHANGE RECORD			BY	APPVD	ECN	SALES CATEGORY	PRODUCT LINE	SCALE	FIN. WT.	PART NO.													
										N	4.15	4186													