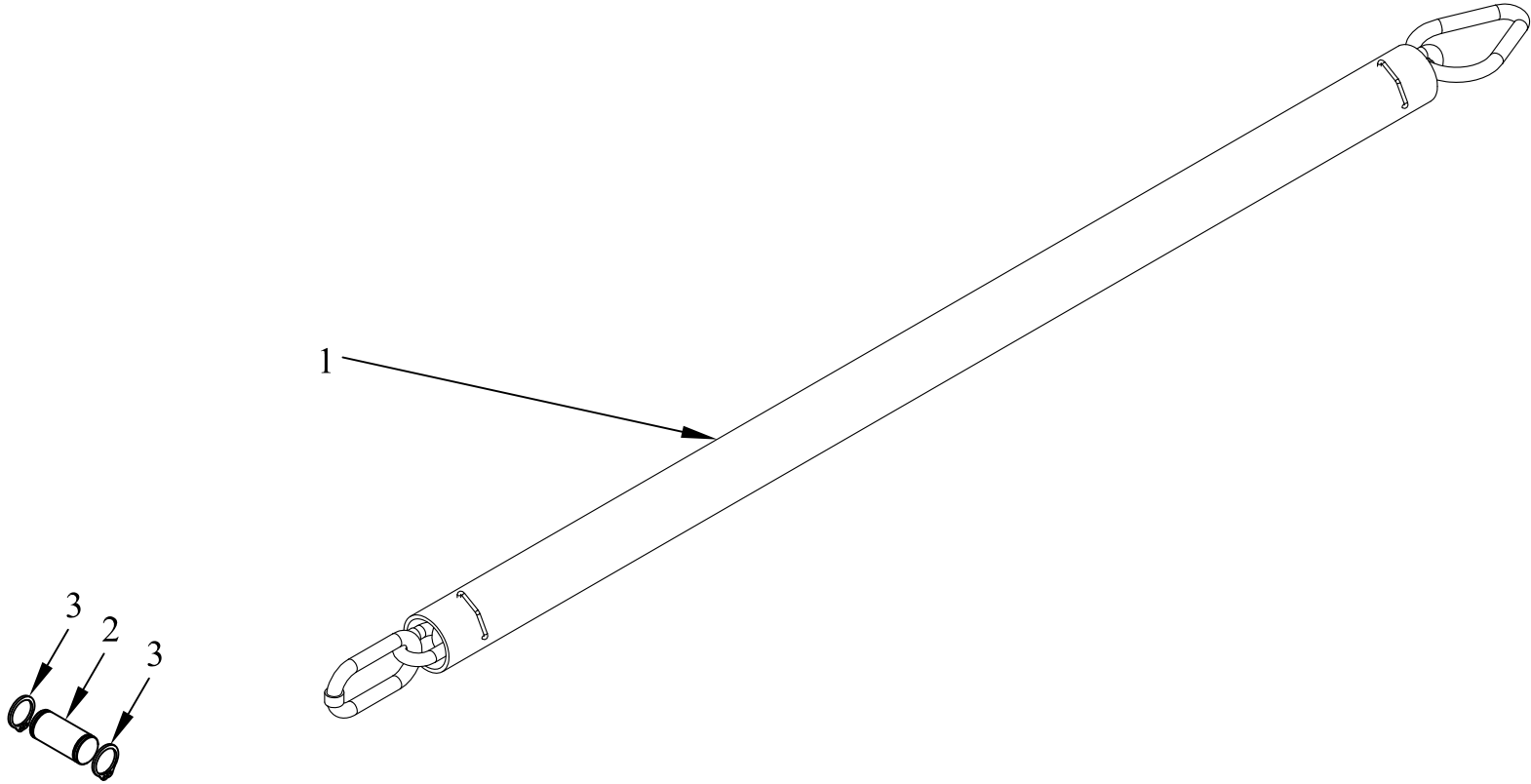


ITEM NO.	QTY.	PART NO.	DESCRIPTION
1	1	2629	40" TRAVEL EA CHAIN W/CLOTH CHAIN COVER
2	1	7637	1/2"X1.08 EA PLATED CHAIN PIN (34-40)
3	2	614	1/2" EXTERNAL RETAINING RING-PLATED



						THIRD ANGLE PROJECTION	FILENAME: E:\KITS(Repair Parts)\Cablegate\003847.dwg	WOODBINE MFG. CO. BUS BROWN DRIVE WOODBINE, IOWA 51579				
							SYMBOLY PER ANSI Y14.5	NOTES:				
						DECIMAL	2PLC	3PLC				
						MACHINE SAW, DRILL	.030	.015				
						SHEAR, PUNCH FORM	.060	.030				
						TORCH, WELDING ROUGH CAST	.090	.060				
C	9/29/09	CHANGED TO REFLECT PRODUCTION			LSB	LSB	206	DRAWN BY. DJR	712-647-2050			
							DRAWN/DATE 11/19/04	THE INFORMATION HERE IS CONFIDENTIAL AND MUST NOT BE USED IN ANYWAY DETRIMENTAL TO THE INTEREST OF WOODBINE MFG.				
							APPVD/DATE 3/5/07	TITLE 1036-1340 EA REPLACEMENT PLATFORM CHAIN				
REV.	DATE	CHANGE RECORD			BY	APPVD	ECN	SALES CATEGORY 45	PRODUCT LINE 1801	SCALE N	FIN. WT.	PART NO. 3847