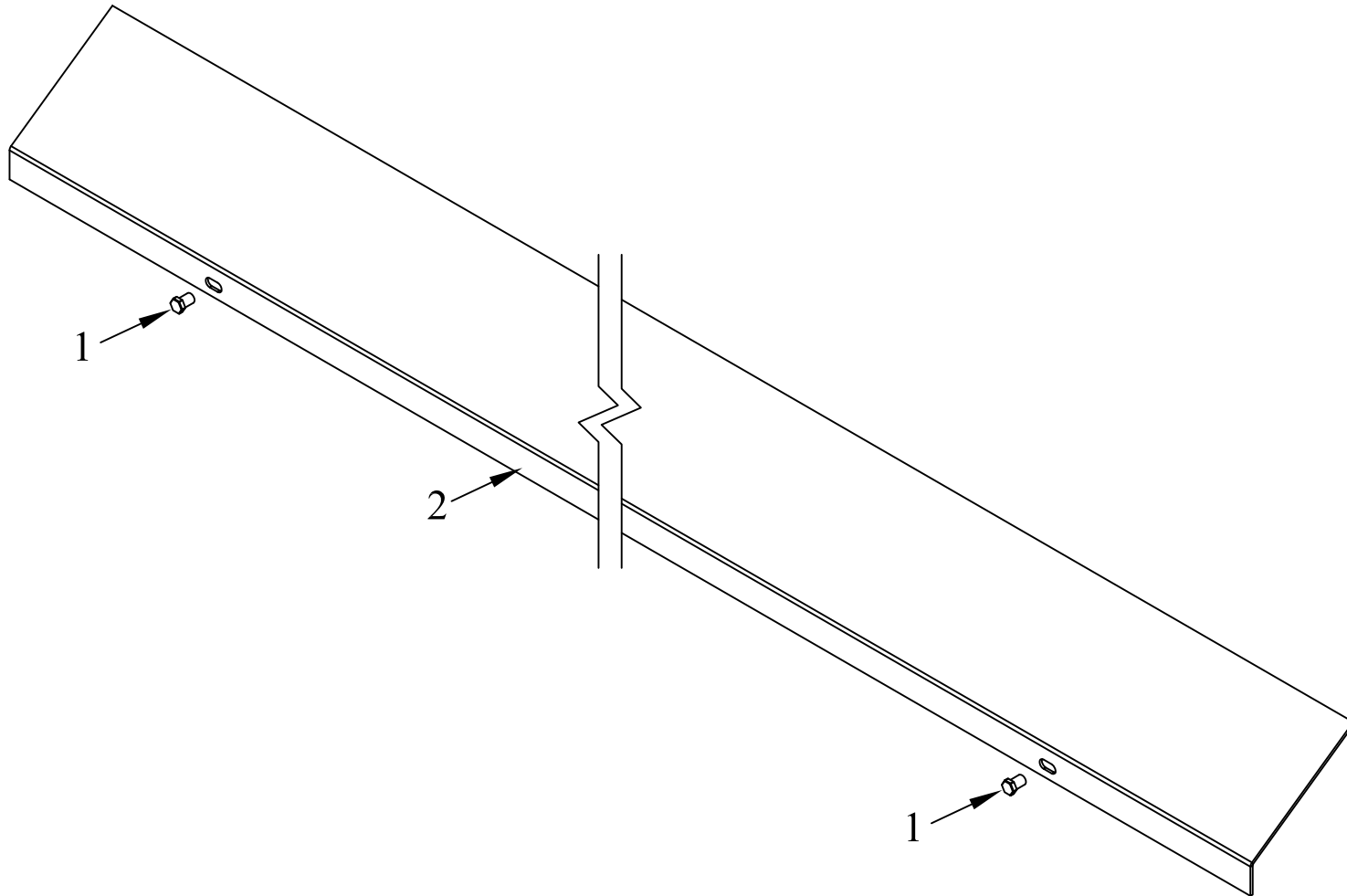


ITEM NO.	QTY.	PART NO.	DESCRIPTION
1	2	000506	5/16-18X1/2' HHCS GRADE 5 BOLT
2	1	004991	12GAx7"x77.69' BOX COVER(80)



REV.	DATE	CHANGE RECORD	BY	APPVD	ECN	DRAFT	ANGULAR	SALES CATEGORY	PRODUCT LINE	SCALE	FIN. WT.	PART NO.
						2'	±1'	45	8950	N		4966

THIRD ANGLE PROJECTION	FILENAME:	WOODBINE MFG. CO. BUS BROWN DRIVE WOODBINE, IOWA 51579
	SYMBOLY PER ANSI Y14.5	712-647-2050
DECIMAL	2PLC	3PLC
MACHINE SAW, DRILL	.030	.015
SHEAR, PUNCH FORM	.060	.030
TORCH, WELDING ROUGH CAST	.090	.060
DRAWN BY. DJR	DRAWN/DATE 12/15/03	NOTES:
APPVD/DATE	TITLE	REPLACEMENT BOX COVER(80)
<small>THE INFORMATION HERE IS CONFIDENTIAL AND MUST NOT BE USED IN ANYWAY DETRIMENTAL TO THE INTEREST OF WOODBINE MFG.</small>		

