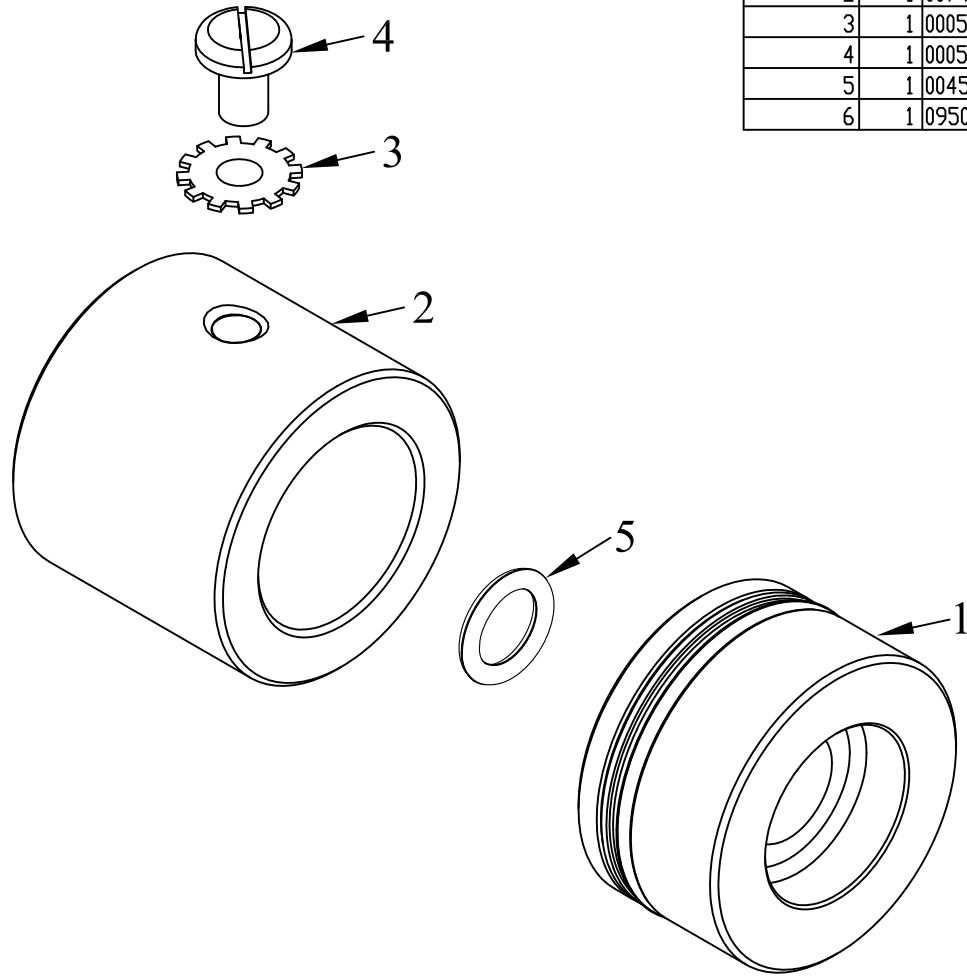


| ITEM NO. | QTY. | PART NO. | DESCRIPTION |
|----------|------|----------|--|
| 1 | 1 | 007448 | 1-3/4"CYL. PIST w/O-RINGS(1046&1340) |
| 2 | 1 | 007451 | 1.125"x1.75"x1.50"ALUM GUIDE BUSHING |
| 3 | 1 | 000570 | 1/4" EXTERNAL STAR WASHER |
| 4 | 1 | 000502 | 1/4-20x3/8" SC PANHD MS |
| 5 | 1 | 004556 | 5/8" O-RING 2-111 |
| 6 | 1 | 095072 | ORIGINAL SERIES CYLINDER SEAL REPLACEMENT INSTR. |



| | | | | THIRD ANGLE PROJECTION | | | FILENAME: | | WOODBINE MFG. CO. | | | | | | | | | | | | | | | |
|---------------------------|---------|------------------------------|--|--|----|--------------|---------------------------------------|--|-------------------|--------------------|----------|----------|-------------------|------|------|---------------------------|------|------|---------------|--|--------|--|----------------------|--|
| | | | | | | | SYMBOLY PER ANSI Y14.5 | | BUS BROWN DRIVE | | | | | | | | | | | | | | | |
| | | | | <table border="1"> <tr> <th>DECIMAL</th> <th>2PLC</th> <th>3PLC</th> </tr> <tr> <td>MACHINE SAW, DRILL</td> <td>.030</td> <td>.015</td> </tr> <tr> <td>SHEAR, PUNCH FORM</td> <td>.060</td> <td>.030</td> </tr> <tr> <td>TORCH, WELDING ROUGH CAST</td> <td>.090</td> <td>.060</td> </tr> </table> | | | DECIMAL | 2PLC | 3PLC | MACHINE SAW, DRILL | .030 | .015 | SHEAR, PUNCH FORM | .060 | .030 | TORCH, WELDING ROUGH CAST | .090 | .060 | DRAWN BY. DJR | | NOTES: | | WOODBINE, IOWA 51579 | |
| DECIMAL | 2PLC | 3PLC | | | | | | | | | | | | | | | | | | | | | | |
| MACHINE SAW, DRILL | .030 | .015 | | | | | | | | | | | | | | | | | | | | | | |
| SHEAR, PUNCH FORM | .060 | .030 | | | | | | | | | | | | | | | | | | | | | | |
| TORCH, WELDING ROUGH CAST | .090 | .060 | | | | | | | | | | | | | | | | | | | | | | |
| | | | | DRAWN/DATE 12/10/03 | | 712-647-2050 | | | | | | | | | | | | | | | | | | |
| | | | | APPVD/DATE | | TITLE | | THE INFORMATION HERE IS CONFIDENTIAL AND MUST NOT BE USED IN ANYWAY DETRIMENTAL TO THE INTEREST OF WOODBINE MFG. | | | | | | | | | | | | | | | | |
| B | 1/12/11 | ADDED (1) 4556 AND (1) 95072 | | JCB | | 400 | 1-3/4" CYLINDER REPAIR KIT(1046-1340) | | | | | | | | | | | | | | | | | |
| REV. | DATE | CHANGE RECORD | | | BY | APPVD | ECN | SALES CATEGORY | PRODUCT LINE | SCALE | FIN. WT. | PART NO. | | | | | | | | | | | | |
| | | | | | | | | | | N | | 1140 | | | | | | | | | | | | |