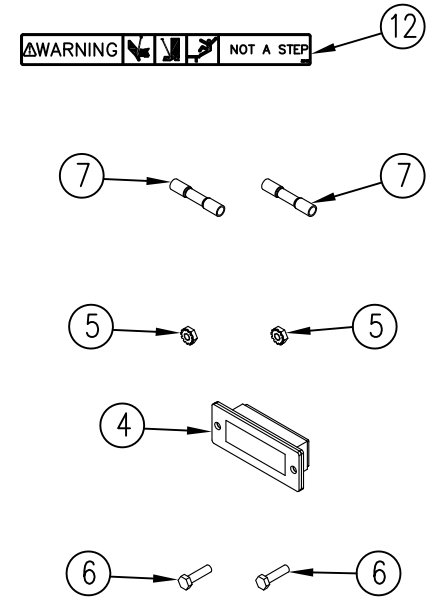
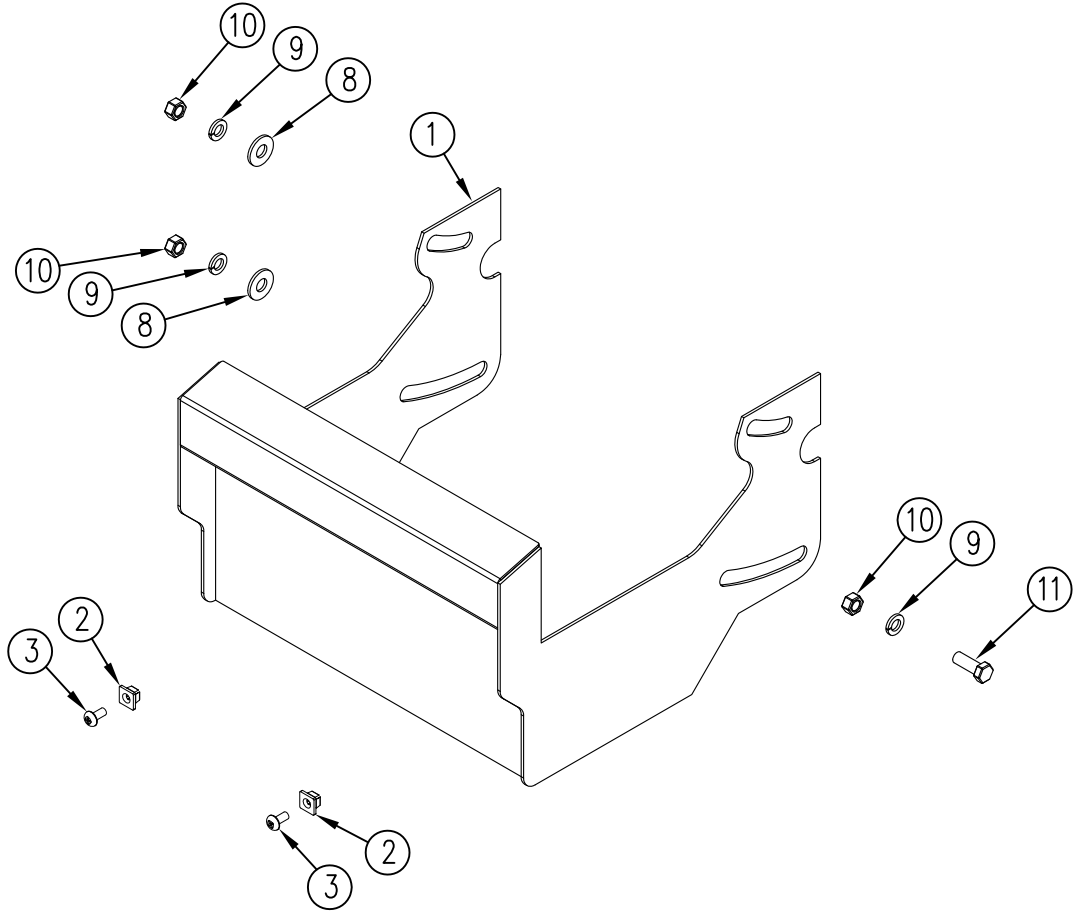


ITEM NO.	QTY.	PART NO.	DESCRIPTION
1	1	010489	CANTILEVER LICENSE PLATE WELDMENT (SPRINTER)
2	2	000628	PLASTIC INSERT NUT FOR LICENSE MOUNT
3	2	000620	1/4-20x1/2" PN HD TY FS(G2)
4	1	003050	LICENSE PLATE LIGHT (H1)
5	2	000556	10-32 HEX KEPS NUT
6	2	001485	10-32 X 3/4" HEX HEAD BOLT
7	2	009089	16-14 HEAT SHRINK BUTT CONNECTOR
8	2	000575	3/8 USS FLAT WASHER
9	3	000572	3/8" SPRING LOCK WASHER
10	3	000550	3/8-16 GR5 HEX NUT
11	1	000509	3/8-16x1"HHCS GR5
12	1	003945	NOT A STEP T-54/64 LIGHT KIT DECAL



						THIRD ANGLE PROJECTION	FILENAME:	WOODBINE MFG. CO.				
							SYMBOLY PER ANSI Y14.5	BUS BROWN DRIVE				
						DECIMAL 2PLC 3PLC	DRAWN BY: JCB	NOTES:				
					MACHINE SAW, DRILL	.030 .015			712-647-2050			
					SHEAR, PUNCH FORM	.060 .030						
B	2/6/12	ADDED 3945	JCB	561	TORCH, WELDING ROUGH CAST	.090 .060	DRAWN/DATE 6/30/11	THE INFORMATION HERE IS CONFIDENTIAL AND MUST NOT BE USED IN ANYWAY DETRIMENTAL TO THE INTEREST OF WOODBINE MFG.				
A	6/30/11	RELEASED TO PRODUCTION	JCB	450			APPVD/DATE	TITLE REPL. CANTILEVER LICENSE PLATE BRACKET (SPRINTER)				
REV.	DATE	CHANGE RECORD	BY	APPVD	ECN	DRAFT 2'	ANGULAR ±1'	SALES CATEGORY	PRODUCT LINE	SCALE	FIN. WT.	PART NO. 11269