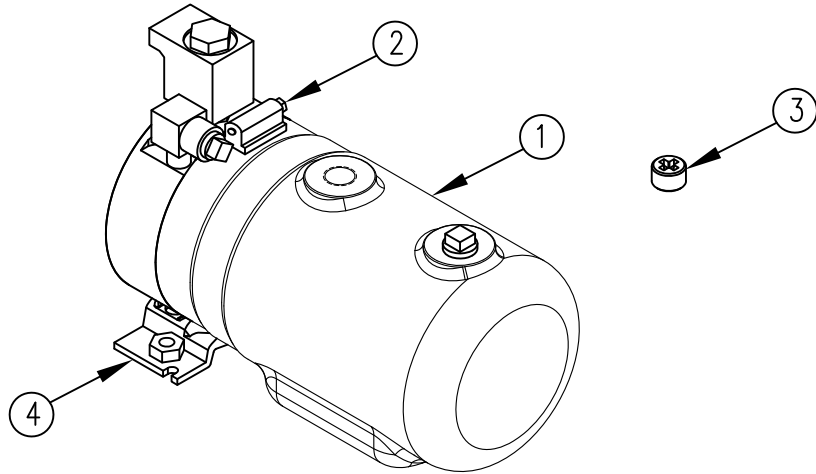


ITEM NO.	QTY.	PART NO.	DESCRIPTION
1	1	004304	MONARCH PLASTIC TANK 1-1/2 QT
2	1	004350	MONARCH CLAMP, HOSE, WORM GEAR, RS
3	1	004403	VENT PLUG
4	1	004298	MONARCH PUMP ONLY (CABLE GATE) M319
5	0.275 GAL	009034	HYDRAULIC OIL



						THIRD ANGLE PROJECTION	FILENAME:	WOODBINE MFG. CO.			
							SYMBOLY PER ANSI Y14.5	BUS BROWN DRIVE			
						DECIMAL	DRAWN BY: LSB	NOTES:			
						2PLC			3PLC		
						MACHINE SAW, DRILL	.030	.015			
						SHEAR, PUNCH FORM	.060	.030			
						TORCH, WELDING ROUGH CAST	.090	.060			
A	5/20/09		DRAWN IN AUTOCAD	LSB	LSB		APPVD/DATE	TITLE			
							5/20/09	M319 PUMP (ONLY) W/1.5QT TANK(2800PSI)**1034, 1036, 1040			
REV.	DATE		CHANGE RECORD	BY	APPVD	ECN	SALES CATEGORY	PRODUCT LINE	SCALE	FIN. WT.	PART NO.
							45	9510	1:4		6472

WOODBINE MFG. CO.  
 BUS BROWN DRIVE  
 WOODBINE, IOWA 51579  
 712-647-2050



THE INFORMATION HERE IS CONFIDENTIAL AND MUST NOT BE USED IN ANYWAY DETRIMENTAL TO THE INTEREST OF WOODBINE MFG.