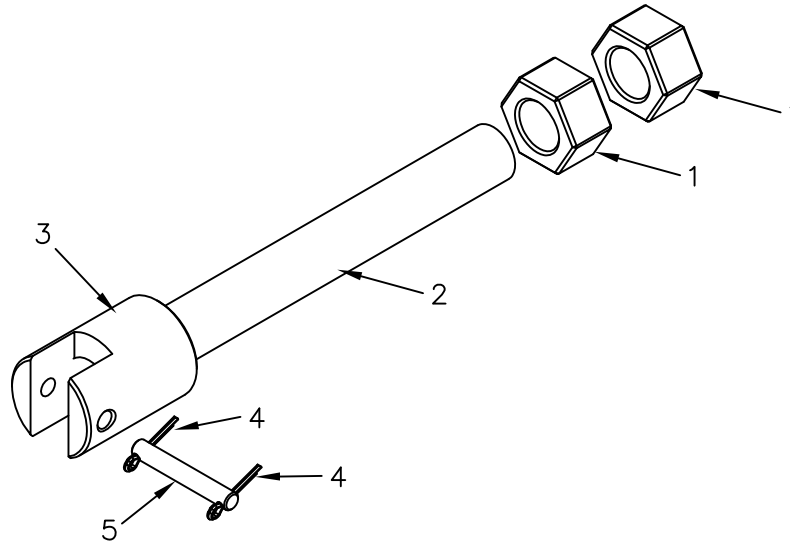


ITEM NO.	QTY.	PART NO.	DESCRIPTION
1	2	000552	5/8-18 SAE HEX FIN NUT
2	1	007667	.625"x5.75" CHAIN ADJUSTMENT BOLT
3	1	007666	1.12" DIA X 1.5" RAIL CHAIN TENSIONER
4	2	009967	1/16"x1/2" COTTER PIN
5	1	009867	.2"x1.34" HEAT TREATED CHAIN CLEVIS PIN



REV.	DATE	CHANGE RECORD	BY	APPVD	ECN	DRAFT	ANGULAR	SALES CATEGORY	PRODUCT LINE	SCALE	FIN. WT.	PART NO.
B	7/6/09	CORRECTED ITEM #3 DESC. IN BOM	MTC	MTC		2*	±1*	45	8600	N		7947
						THIRD ANGLE PROJECTION 		FILENAME: KITS(Repair Parts)\Railgate\007947 SYMBOLOLOGY PER ANSI Y14.5		NOTES:		
						DECIMAL 2PLC 3PLC MACHINE SAW, DRILL .030 .015 SHEAR, PUNCH FORM .060 .030 TORCH, WELDING ROUGH CAST .090 .060		DRAWN BY: DJR DRAWN/DATE 7/30/03 APPVD/DATE 7/6/09		WOODBINE MFG. CO. BUS BROWN DRIVE WOODBINE, IOWA 51579 712-647-2050 		
										THE INFORMATION HERE IS CONFIDENTIAL AND MUST NOT BE USED IN ANYWAY DETRIMENTAL TO THE INTEREST OF WOODBINE MFG.		
								TITLE ROLLER CHAIN ADJUSTMENT SCREW, CLEVIS AND PIN				