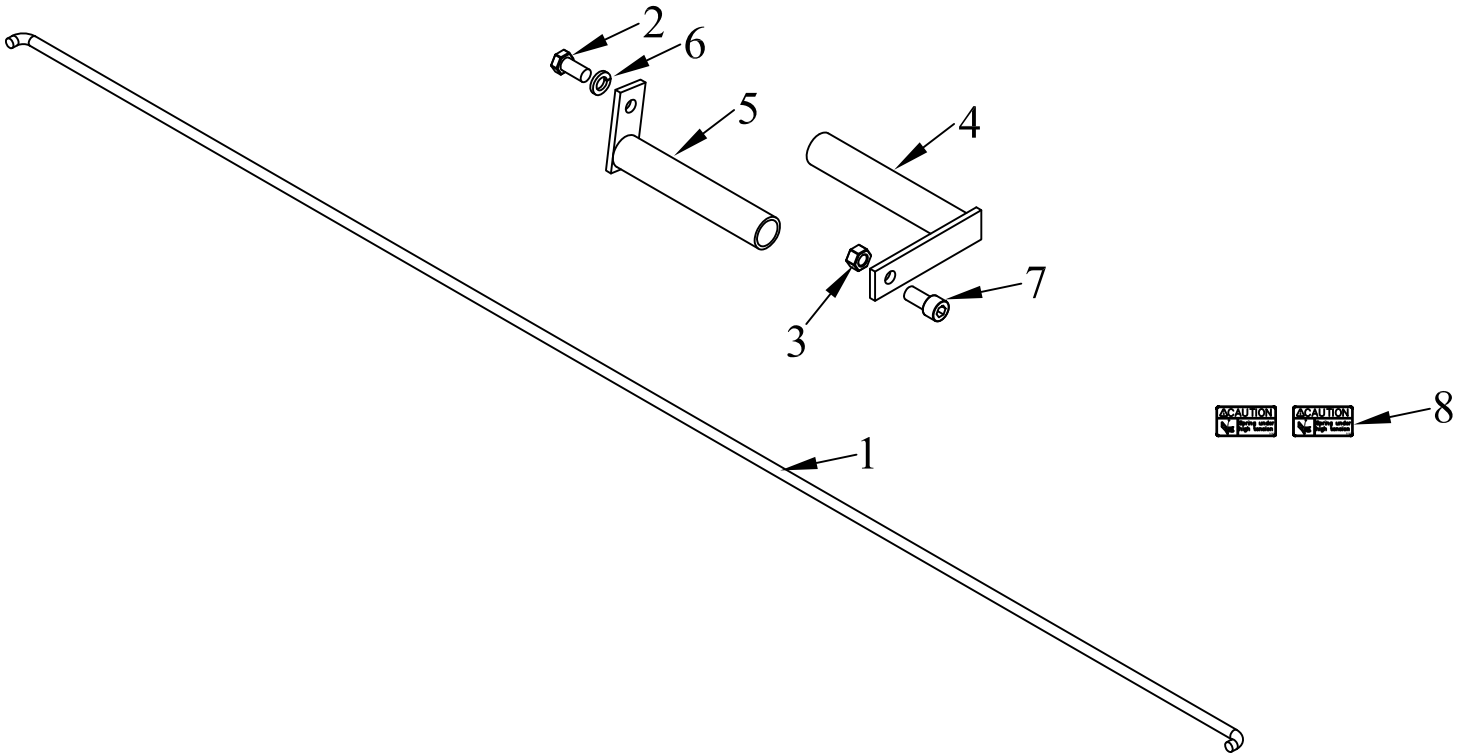



| ITEM NO. | QTY. | PART NO. | DESCRIPTION |
|----------|------|----------|------------------------------------|
| 1 | 1 | 7874 | .38"x88.75" TORSION SPRING(91EA) |
| 2 | 1 | 587 | 1/2-13x1" HHCS GR5 |
| 3 | 1 | 588 | 1/2-13 CROWN LOCK NUT |
| 4 | 1 | 7710 | HINGE TUBE SPRING HOLDER-46EA PASS |
| 5 | 1 | 7778 | HINGE TUBE SPRING HOLDER-EA DRIVER |
| 6 | 1 | 573 | 1/2" SPRING LOCKWASHER |
| 7 | 1 | 604 | 1/2-13x1"USS SOC HD CAP STAINLESS |
| 8 | 2 | 9540 | WARNING DECAL - SPRING TENSION |



NOTE: THIS TORSION SPRING TO BE USED ONLY ON ALUMINUM PLATFORMS WITH 2 1/2" HIGH LID ENDS AND 1 7/8" THICK PLATFORM.

| REV. | DATE | CHANGE RECORD | BY | APPVD | ECN | DRAFT 2" | ANGULAR ±1° | SALES CATEGORY | PRODUCT LINE | SCALE N | FIN. WT. 6.23 | PART NO. 8033 |
|------|----------|---------------------|-----|-------|-----|-------------|----------------|---------------------------|--|------------|------------------|------------------|
| D | 11/16/10 | ADDED (2) 9540 | JCB | | 376 | | | FILENAME: | WOODBINE MFG. CO. BUS BROWN DRIVE WOODBINE, IOWA 51579 712-647-2050  | | | |
| C | 12/2/09 | UPDATED DESCRIPTION | JCB | | 242 | | | SYMBOLY PER ANSI Y14.5 | | | | |
| B | 8/27/08 | ADDED NOTE | LSB | LSB | | | | DRAWN BY. DJR | THE INFORMATION HERE IS CONFIDENTIAL AND MUST NOT BE USED IN ANYWAY DETRIMENTAL TO THE INTEREST OF WOODBINE MFG. | | | |
| A | 8/8/06 | UPDATED BOM | JCB | KGJ | | | | DRAWN/DATE 8/24/04 | | | | |
| | | | | | | | | APPVD/DATE | | | | |
| | | | | | | | | TITLE | | | | |