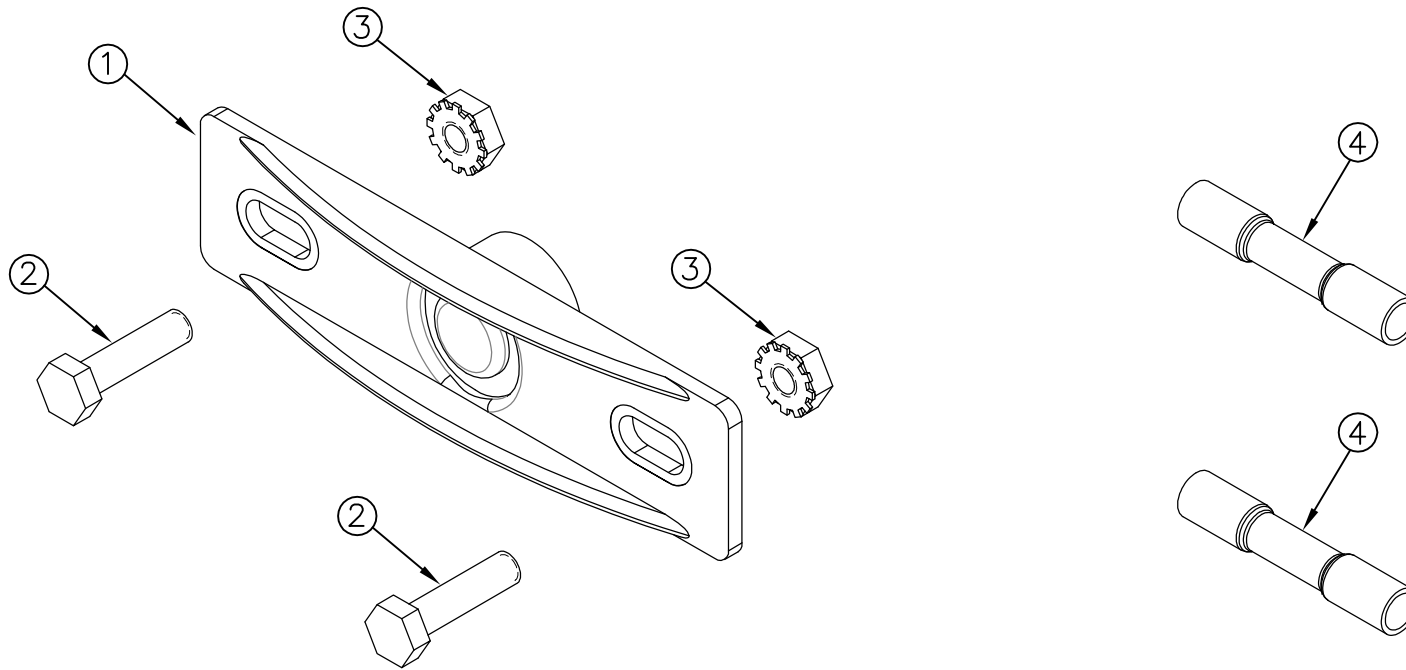


ITEM NO.	QTY.	PART NO.	DESCRIPTION
1	1	013458	LED LICENSE PLATE LIGHT
2	2	001485	10-32 X 3/4" HEX HEAD BOLT
3	2	000556	10-32 KEPS NUT
4	2	009089	16-14 HEAT SHRINK BUTT CONNECTOR



						THIRD ANGLE PROJECTION	FILENAME:	WOODBINE MFG. CO. BUS BROWN DRIVE WOODBINE, IOWA 51579	
							SYMBOLY PER ANSI Y14.5	NOTES:	
						DECIMAL MACHINE SAW, DRILL	2PLC .030	3PLC .015	DRAWN BY: GDB
						SHEAR, PUNCH FORM	.060	.030	DRAWN/DATE 2/19/14
						TORCH, WELDING ROUGH CAST	.090	.060	APPVD/DATE
A	2/19/14	RELEASED TO PRODUCTION			GDB	1044	TITLE		712-647-2050
REV.	DATE	CHANGE RECORD			BY	APPVD	ECN	SALES CATEGORY	PRODUCT LINE
						DRAFT 2"	ANGULAR ±1"	SCALE N	FIN. WT.
									PART NO. 013554

THE INFORMATION HERE IS CONFIDENTIAL AND MUST NOT BE USED IN ANYWAY DETRIMENTAL TO THE INTEREST OF WOODBINE MFG.

