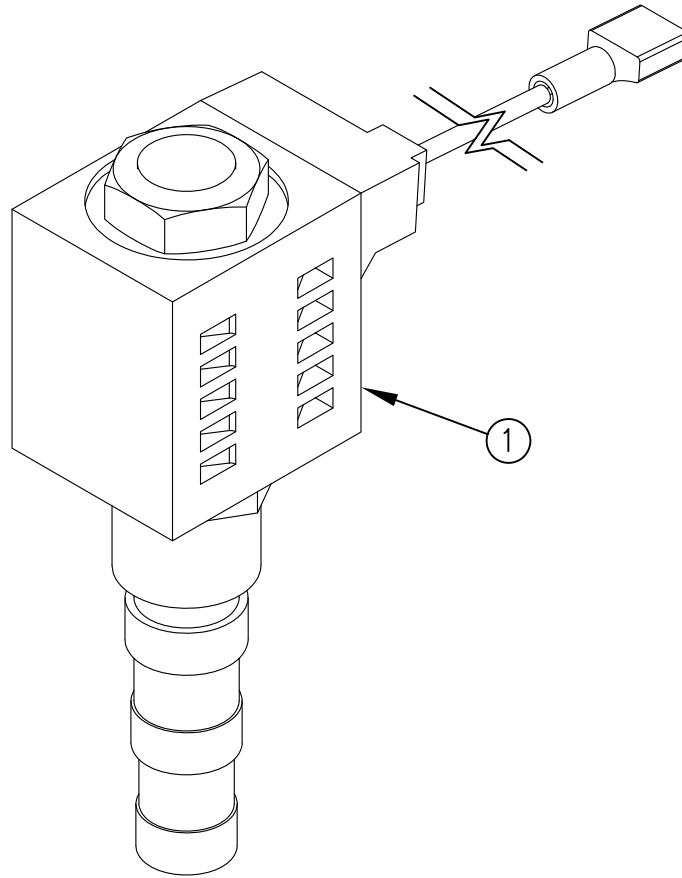


ITEM NO.	QTY.	PART NO.	DESCRIPTION
1	1	011944	4WAY/2POS SOLENOID ASSEMBLY W/ CONNECTOR



						THIRD ANGLE PROJECTION	FILENAME:	WOODBINE MFG. CO.	
							SYMBOLY PER ANSI Y14.5	BUS BROWN DRIVE	
						DECIMAL	DRAWN BY: JCB	NOTES:	
					MACHINE SAW, DRILL	2PLC .030			3PLC .015
					SHEAR, PUNCH FORM	.060			.030
					TORCH, WELDING ROUGH CAST	.090			.060
A	1/30/12	RELEASED TO PRODUCTION	JCB		589		DRAWN/DATE 1/30/12	712-647-2050	
REV.	DATE	CHANGE RECORD	BY	APPVD	ECN	DRAFT 2'	APPVD/DATE	TITLE	
						ANGULAR ±1'	SALES CATEGORY	REPL. 4WAY/2POS SOL. ASSEM. W/CONNECTOR	
							PRODUCT LINE	SCALE 1:1	
							FIN. WT.	PART NO. 11948	



THE INFORMATION HERE IS CONFIDENTIAL AND MUST NOT BE USED IN ANYWAY DETRIMENTAL TO THE INTEREST OF WOODBINE MFG.