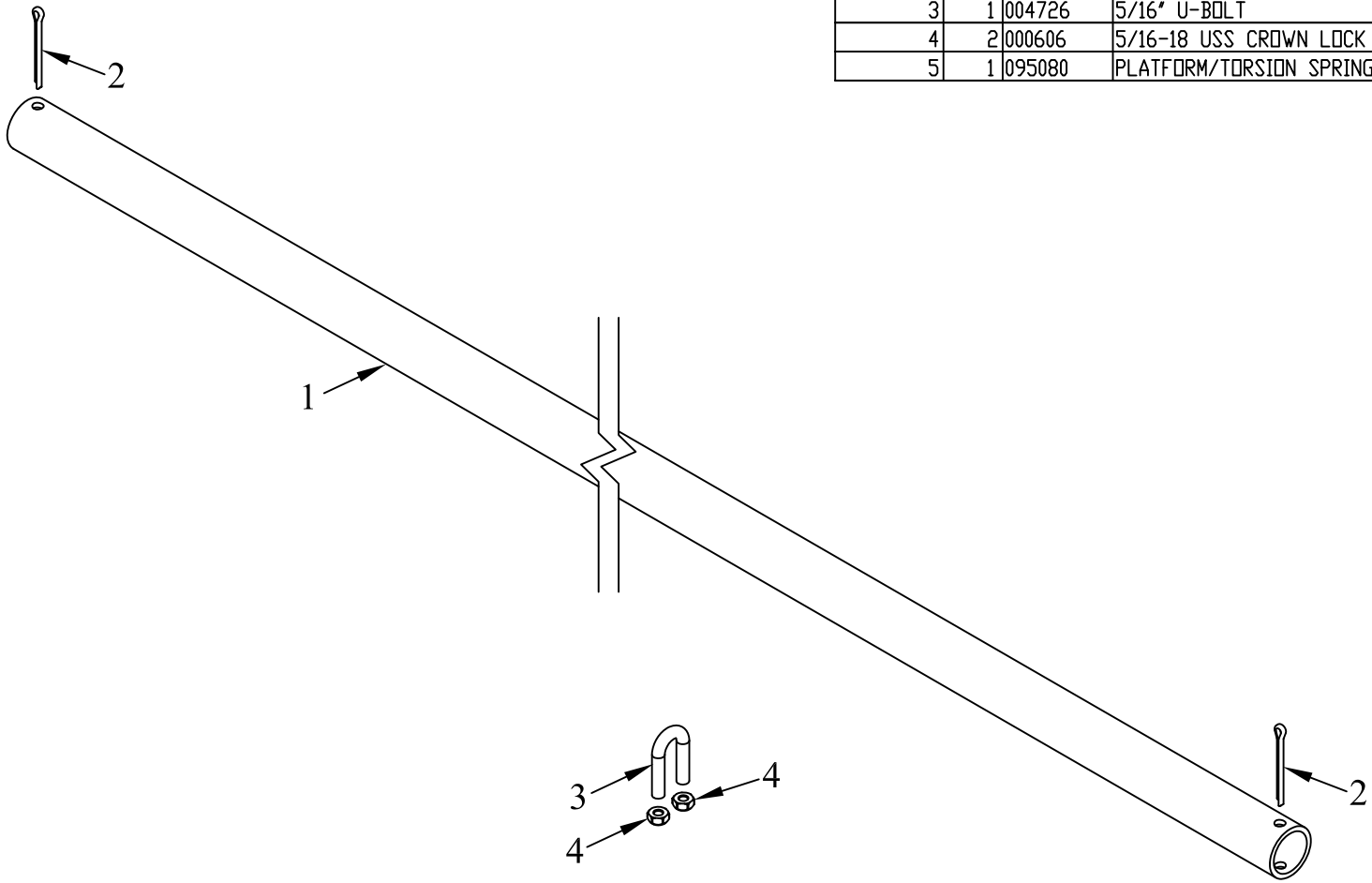


ITEM NO.	QTY.	PART NO.	DESCRIPTION
1	1	010330	1.25" OD PUNCHED INNER HINGETUBE (54)
2	2	004720	1/4"x2" COTTER PIN
3	1	004726	5/16" U-BOLT
4	2	000606	5/16-18 USS CROWN LOCK NUT
5	1	095080	PLATFORM/TORSION SPRING (W/ HINGE TUBE) INSTR.



			THIRD ANGLE PROJECTION			FILENAME:		WOODBINE MFG. CO.															
						SYMBOLY PER ANSI Y14.5		BUS BROWN DRIVE															
			<table border="1"> <tr> <th>DECIMAL</th> <th>2PLC</th> <th>3PLC</th> </tr> <tr> <td>MACHINE SAW, DRILL</td> <td>.030</td> <td>.015</td> </tr> <tr> <td>SHEAR, PUNCH FORM</td> <td>.060</td> <td>.030</td> </tr> <tr> <td>TORCH, WELDING ROUGH CAST</td> <td>.090</td> <td>.060</td> </tr> </table>			DECIMAL	2PLC	3PLC	MACHINE SAW, DRILL	.030	.015	SHEAR, PUNCH FORM	.060	.030	TORCH, WELDING ROUGH CAST	.090	.060	DRAWN BY. DJR		NOTES:		WOODBINE, IOWA 51579	
DECIMAL	2PLC	3PLC																					
MACHINE SAW, DRILL	.030	.015																					
SHEAR, PUNCH FORM	.060	.030																					
TORCH, WELDING ROUGH CAST	.090	.060																					
			DRAWN/DATE 5/21/04		712-647-2050																		
			APPVD/DATE		TITLE		<small>THE INFORMATION HERE IS CONFIDENTIAL AND MUST NOT BE USED IN ANYWAY DETRIMENTAL TO THE INTEREST OF WOODBINE MFG.</small>																
B	6/25/13	CHANGED 6401 TO 10330; ADDED 95080	JCB		918	SALES CATEGORY		PRODUCT LINE	SCALE	FIN. WT.	PART NO.												
REV.	DATE	CHANGE RECORD	BY	APPVD	ECN	DRAFT 2"	ANGULAR ±1°		1:4		6426												