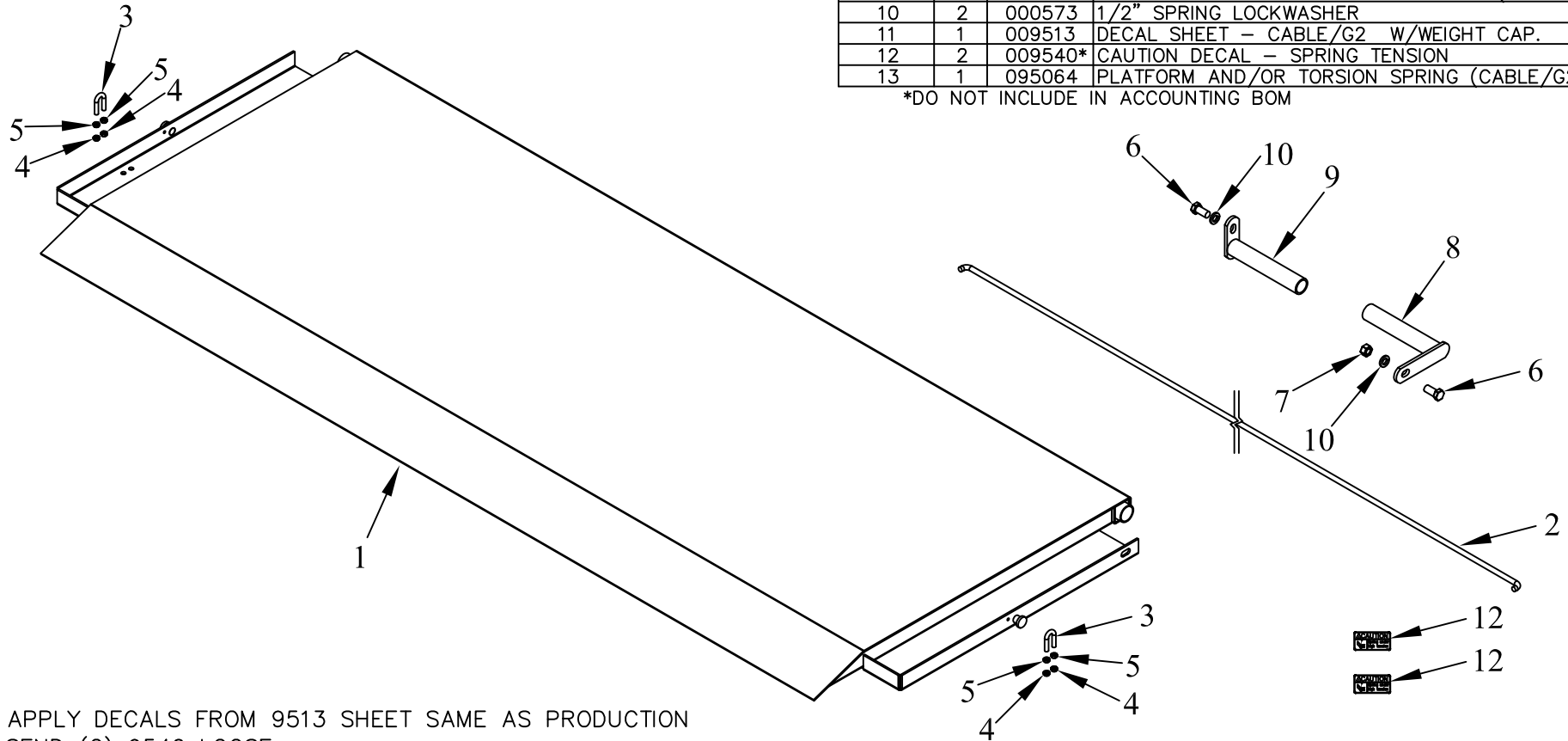


ITEM NO.	QTY.	PART NO.	DESCRIPTION
1	1	002059	(64SB) 36+6" TREADPLATE PLATFORM COMPLETE
2	1	007870	0.38" X 64.313" TORSION SPRING (64EA)
3	2	004727	3/8"U-BOLT(SHORT)x16x7/8x1-1/2
4	4	000605	3/8-16 USS CROWN LOCK NUT
5	4	000550	3/8-16 GR5 HEX NUT
6	2	000587	1/2-13x1" HHCS GR5
7	1	000551	1/2-13 GR5 HEX NUT (ZINC)
8	1	007431	HINGE TUBE SPRING HOLDER-PASSENGER 64SB/72
9	1	007778	HINGE TUBE SPRING HOLDER-EA DRIVER(ROUND SPRING)
10	2	000573	1/2" SPRING LOCKWASHER
11	1	009513	DECAL SHEET - CABLE/G2 W/WEIGHT CAP.
12	2	009540*	CAUTION DECAL - SPRING TENSION
13	1	095064	PLATFORM AND/OR TORSION SPRING (CABLE/G2) INSTR.

*DO NOT INCLUDE IN ACCOUNTING BOM



NOTES: APPLY DECALS FROM 9513 SHEET SAME AS PRODUCTION
SEND (2) 9540 LOOSE

REV.	DATE	CHANGE RECORD	BY	APPVD	ECN	THIRD ANGLE PROJECTION	FILENAME:	SYMBOLY PER ANSI Y14.5	NOTES:	WOODBINE MFG. CO. BUS BROWN DRIVE WOODBINE, IOWA 51579 712-647-2050		
C	1/14/15	REPLACED 7710 WITH 7431; ADDED 9513, 9540, AND 95064	JCB		1299	DECIMAL MACHINE SAW, DRILL		DRAWN BY. DJR		<small>THE INFORMATION HERE IS CONFIDENTIAL AND MUST NOT BE USED IN ANYWAY DETRIMENTAL TO THE INTEREST OF WOODBINE MFG.</small> 		
B	3/12/10	REMOVED PN8085; ADDED PN7870, 587, 551, 7710, 7778, 573	MTC		274	SHEAR, PUNCH FORM		DRAWN/DATE 3/15/05				
A	5/22/06	UPDATED BOM	JCB	KGJ		TORCH, WELDING ROUGH CAST		APPVD/DATE	TITLE (64SB) 36+6" TP REPLACEMENT PLATFORM			
						DRAFT 2'	ANGULAR ±1'	SALES CATEGORY	PRODUCT LINE		SCALE N	FIN. WT.