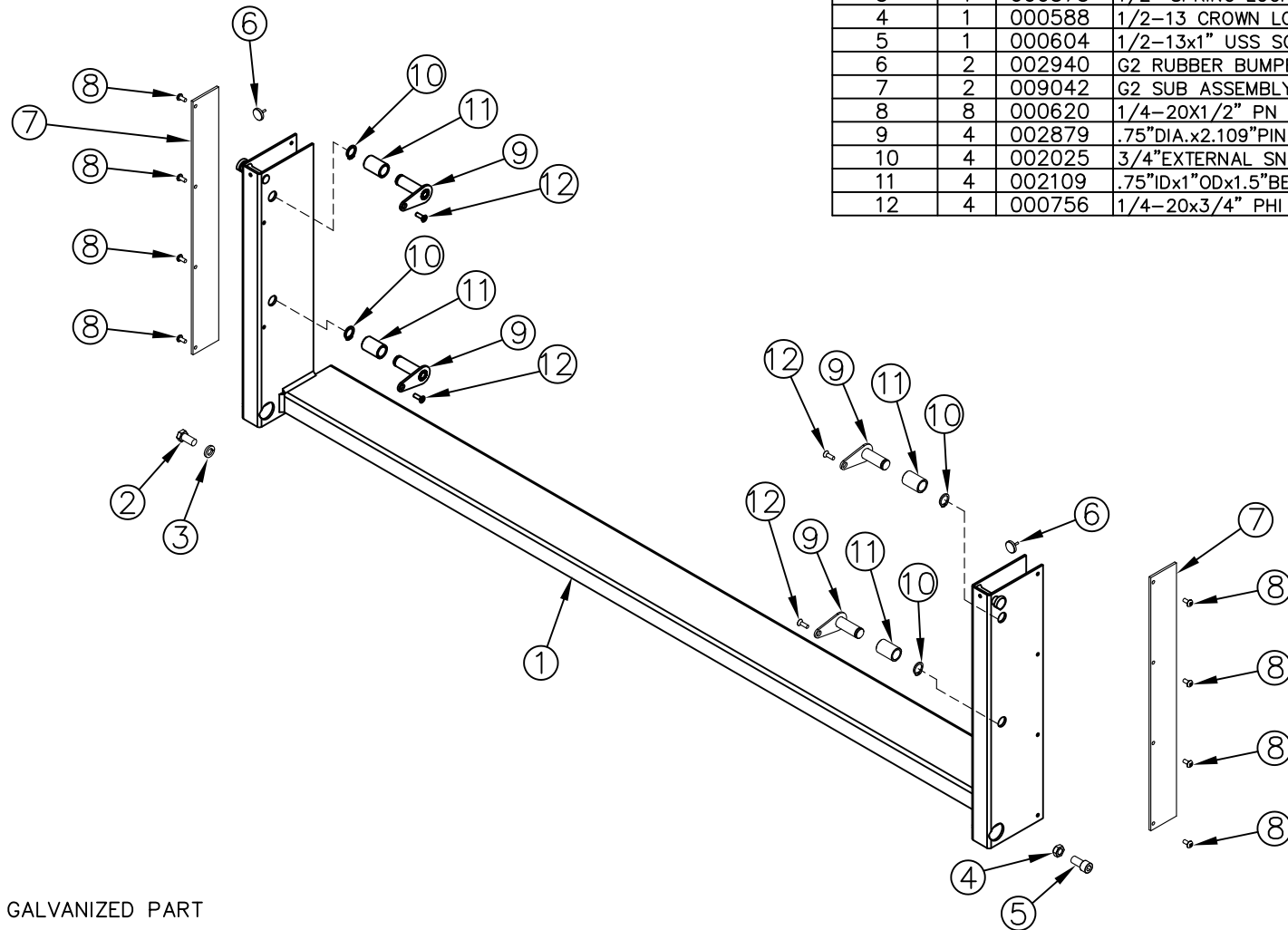

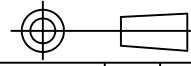


ITEM NO.	QTY.	PART NO.	DESCRIPTION
1	1	014151*	G2 SUB ASSEMBLY(81-42)
2	1	000587	1/2-13x1" HHCS GR5
3	1	000573	1/2" SPRING LOCK WASHER
4	1	000588	1/2-13 CROWN LOCK NUT
5	1	000604	1/2-13x1" USS SOC HD CAP S.S.
6	2	002940	G2 RUBBER BUMPER
7	2	009042	G2 SUB ASSEMBLY BELTING 21-3/8"
8	8	000620	1/4-20X1/2" PN HD TY FS(G2)
9	4	002879	.75"DIA.x2.109"PIN w/FLAT HEAD KEEPER(G2)
10	4	002025	3/4"EXTERNAL SNAP RING (G2) PLATED
11	4	002109	.75"IDx1"ODx1.5"BEARING (G2)
12	4	000756	1/4-20x3/4" PHI FH TYPE F SS



NOTE: "\*" INDICATES GALVANIZED PART

REV.	DATE	CHANGE RECORD	BY	APPVD	ECN	DRAFT	ANGULAR	SALES CATEGORY	PRODUCT LINE	SCALE	FIN. WT.	PART NO.
A	9/6/24	RELEASED TO PRODUCTION	AAS		3051	2"	±1"			1:12		18320
						THIRD ANGLE PROJECTION		FILENAME:		NOTES: WOODBINE MFG. CO. BUS BROWN DRIVE WOODBINE, IOWA 51579  THE INFORMATION HERE IS CONFIDENTIAL AND MUST NOT BE USED IN ANYWAY DETRIMENTAL TO THE INTEREST OF WOODBINE MFG.		
						 DECIMAL    2PLC    3PLC MACHINE SAW, DRILL    .030    .015 SHEAR, PUNCH FORM    .060    .030 TORCH, WELDING ROUGH CAST    .090    .060		SYMBOLY PER ANSI Y14.5				
								DRAWN BY: AAS				
								DRAWN/DATE 9/6/24				
								APPVD/DATE		TITLE GALVANIZED G2 81-42 LOW PROFILE REPAIR SUB ASSEMBLY		