

Tire Rack Installation and Operation Instructions

Original and G2 Series-One Piece platforms

These instructions will aid installation of a tire rack on a Tommy Gate. A torsion spring is recommended when adding a tire rack.

Changing Operation Side of Tire Rack

Complete this section only if you want to change the side of the liftgate where the tubular section of the tire rack will be installed.

1. **Remove** and **Save** the stop blocks and hardware on both sides of the tire rack (Figure 1).
2. **Reinstall** the stop blocks on the tire rack. The stop blocks go inside the channel, closest to the truck when the tire rack is installed (Figures 1-2).

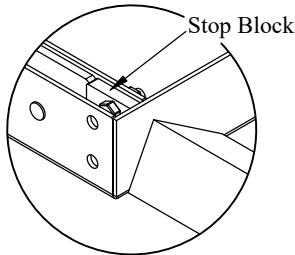


Figure 1: Driver side tire rack.

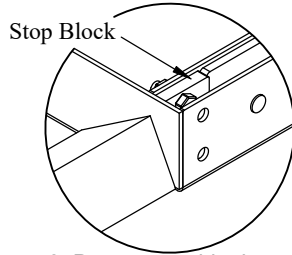


Figure 2: Passenger side tire rack.

Table 1: Tire rack dimensions for reference.

Liftgate Model	Approximate Length (A)	Cross Member (B)
48	43"	35-38"
54	46-50"	36-42"
60	53"	48-50"
64-65	57-61"	52-54"
72-73	64-67"	59-61"
80-81	73-75"	66-70"
86-87	78-81"	73-75"
91-92	83-86"	77-80"

Installing the Tire Rack

Note: The dimensions in Table 1 are to be used as a reference. Verify that holes drilled through tire rack cross members will not conflict with platform ribs.

1. **Arrange** the tire rack and extensions on the platform so that the A dimension is at least 1" narrower than the platform flat loading surface (Figure 3).

Note: The loose extensions are not used for models 48-60.

Cut extensions to length needed on models 48-54 and paint the exposed metal.

2. **Position** the tire rack on the platform, centered from side to side (Figure 4).
3. **Position** the tire rack as follows (Figure 4).
 - a) 1/2" from butt edge or flat loading edge on 27" platforms, or
 - b) 8-3/4" from back edge on EA35, EA36, EA41, EA42 platforms, or
 - c) 6-1/2" from back edge on TP35, TP36, TP41, TP42 platforms, or
 - d) Centered on the flat loading surface for all other platforms.
4. **Position** the movable cross member at the B location so that it is centered between platform ribs, if possible (Figure 3, Table 1). Align cross member holes with existing holes in the Tommy Traction or Bar Grate surface, if applicable.
5. **Verify** that the platform will be able to be closed with the tire rack installed.
6. **Check** for obstructions before drilling in the next step.
7. **Drill** holes through the tire rack and platform as needed for two bolts per cross member. Use the 1/2" bolts for Tommy Traction (TT) and Bar Grate (BG), and 3/8" bolts for all other platforms.
8. **Attach** the tire rack to the platform with supplied hardware. Install washers on top and bottom for Aluminum (EA), top only for Tread Plate (TP), and bottom only for TT platforms. Install backer plates on bottom for BG platforms. Install bolts on bottom.
9. **Install** a self-drilling screw in each end of the movable cross member. Be sure the cross member is held tightly against the tire rack extensions.
10. **Install** self-drilling screws in the ends of the extensions where they overlap, if applicable.
11. **Verify** that the tire rack and platform operate properly.

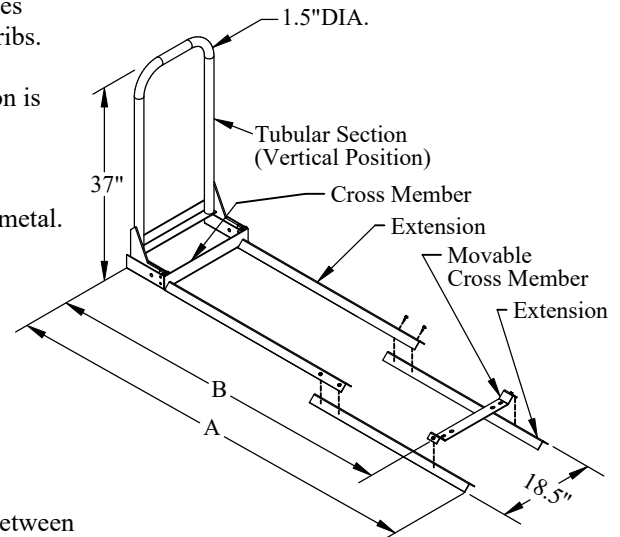


Figure 3: Tire rack in unfolded position.

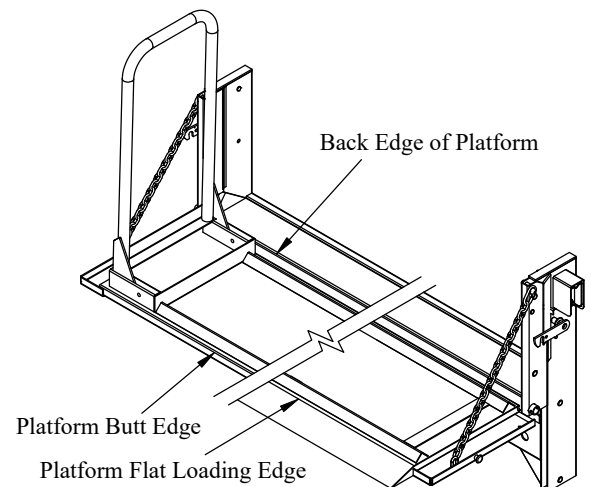


Figure 4: Tire rack on liftgate (Driver side tire rack shown).