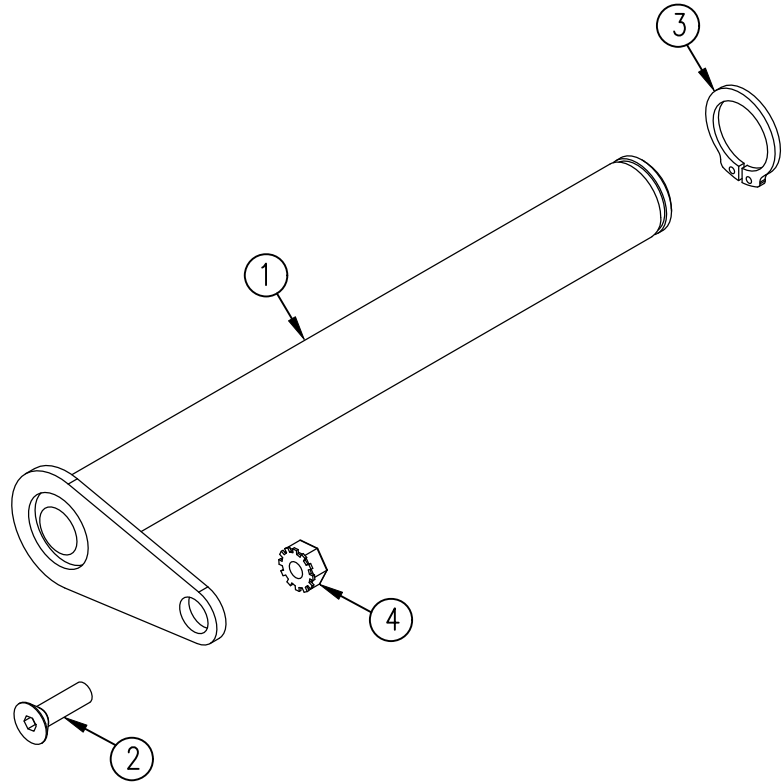
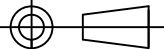



ITEM NO.	QTY.	PART NO.	DESCRIPTION
1	1	010328	CANTILEVER CYLINDER BASE PIN W/ KEEPER
2	1	011080	1/4-20x3/4" FLAT HEAD SOCKET CAP SCREW ZP
3	1	002026	7/8" EXTERNAL SNAP RING, PLATED
4	1	011081	1/4-20 KEPS NUT ZINC



						THIRD ANGLE PROJECTION 	DRAWN BY JCB	NOTES:	WOODBINE MFG. CO. BUS BROWN DRIVE WOODBINE, IOWA 51579 
					UNLESS OTHERWISE SPECIFIED	DRAWN/DATE 6/29/11			
					DIMENSIONS ARE IN INCHES TOLERANCES: FRACTIONAL ±1/16 ANGULAR MACH ±1' BEND ±1'	APPVD/DATE -	TITLE		
B	1/10/24	011080 WAS 011084, UPDATED TITLE BLOCK	MK	2955		TWO PLACE DECIMAL ±0.030 THREE PLACE DECIMAL ±0.010	DO NOT SCALE DRAWING	7/8" REPL. CANTILEVER CYL. BASE PIN W/ KEEPER	
A	6/29/11	RELEASED TO PRODUCTION	JCB	450					
REV.	DATE	CHANGE RECORD	BY	APPVD	ECN	THE INFORMATION HERE IS CONFIDENTIAL AND MUST NOT BE USED IN ANY WAY DETRIMENTAL TO THE INTEREST OF WOODBINE MFG.	SCALE 1:2	WEIGHT -	PART NO. 11266