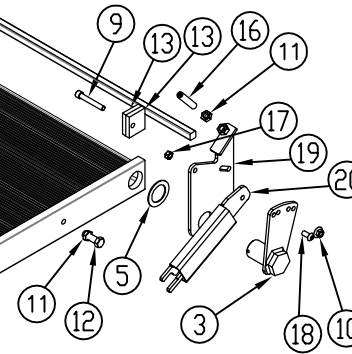


ITEM NO.	QTY.	PART NO.	DESCRIPTION
1	1	011910	89 35+12 ALUM TA PLATFORM COMPLETE W/CARTSTOP(TX)
2	1	005038	5/8"SQ.x90.75" RAIL TORSION SPRING-89
3	1	007019	PLATED 5/8" TORSION SPRING HOLDER- PASSENGER
4	1	013170	PLATED TORSION ARM RAIL (DR) 5/8"SQ
5	3	000582	1-1/2" NARROW RIM MACHINE BUSHING
6	1	004720	1/4"x2" COTTER PIN
7	1	000521	1/2-13x1-1/4" HHCS GR5
8	1	000573	1/2" SPRING LOCK WASHER
9	1	012649	3/8-16x2-1/2" USS SDC HD CAP
10	2	000553	3/8-16 LARGE FLANGE LOCK NUT
11	2	012650	1/2-13 GRADE 5 HEX JAM NUT
12	1	000608	1/2-13x1-1/2" HHCS GR5
13	4	012238	.375"x1.75"x2" ALUM RAIL FLAT STOP(TX)
14	2	009540	CAUTION DECAL - TORSION SPRING
15	1	000516	3/8-16x2" HHCS GR5
16	1	013548	1/2-13x2-1/2" SHSS CONE PT-PLATED
17	1	000597	3/8-16 2 WAY LOCK NUT
18	1	000737	3/8-16x1" BHCS GR5-ZINC PLATED
19	1	012644	PLATED PLATFORM HOLD DOWN BASE PLATE(TX)
20	1	012643	PLATED PLATFORM HOLD DOWN LINK ASSEMBLY(TX)
21	2	004721	1/8"x3/4" COTTER PIN
22	1	095133	(R)REPAIR TX RAILGATE TA SPRING INSTRUCTIONS



REV.	DATE	CHANGE RECORD	BY	APPVD	ECN	DRAFT	ANGULAR	SALES CATEGORY	PRODUCT LINE	SCALE	FIN. WT.	PART NO.
B	3/13/14	737 WAS 12795	GDB		1080	2"	±1"			1:15		013092
A	1/28/14	RELEASED TO PRODUCTION	GDB		1044							

THIRD ANGLE PROJECTION	FILENAME:	WOODBINE MFG. CO.
	SYMBOLY PER ANSI Y14.5	BUS BROWN DRIVE
DECIMAL	2PLC	3PLC
MACHINE SAW, DRILL	.030	.015
SHEAR, PUNCH FORM	.060	.030
TORCH, WELDING	.090	.060
ROUGH CAST		
DRAWN BY: GDB	NOTES:	712-647-2050
DRAWN/DATE: 1/28/14		
APPVD/DATE:	TITLE	THE INFORMATION HERE IS CONFIDENTIAL AND MUST NOT BE USED IN ANYWAY DETRIMENTAL TO THE INTEREST OF WOODBINE MFG.
	(89) 35+12 TA REP EA PLFRM W/ CS (TX)	