



THE LATEST



V2-45

THE NEW V2 SERIES LIFTGATE FOR DELIVERY VAN APPLICATIONS

RELIABILITY DELIVERED

QUALITY PRODUCTS, DEPENDABLE SERVICE, TRUSTED PARTNER

TOMMYGATE.COM/LIFTGATES/CARGO-VAN

NEW

TOMMY GATE® V2 SERIES

**1,100 LBS
CAPACITY**



**CAPACITY:
1,100 LBS.**



**PLATFORM SIZE:
47 x 49**



**LIFT LOCATION:
INTERNALLY
MOUNTED**



**FULLY-AUTOMATIC:
HANDS-FREE PLATFORM
OPEN AND CLOSE**

V2 SERIES

The New Internal Delivery Van Lift

The latest in liftgate technology, the V2 Series by Tommy Gate provides the maximum platform loading area while occupying the smallest possible space when stored in the rear of the delivery van. The V2 combines sleek modern engineering with hands-free platform open and close, built-in wheeled retention ramp, and 1,100lbs. of lifting capacity.



TOMMY GATE®

2-YEAR STANDARD WARRANTY

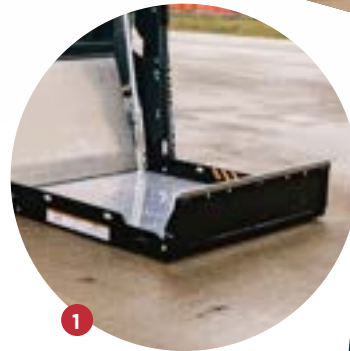


SCAN FOR MORE INFO



Standard Features

- 1 RETENTION RAMP**
Dual-action retention ramp is designed for convenient foot activation at ground level as well as hand activation at bed height, making it easy to load wheeled cargo.
- 2 TWO-FUNCTION CONTROL**
Pendant control with raise/lower toggle and secondary platform fold function.
- 3 ALUMINUM TREADPLATE BRIDGE**
The Aluminum treadplate bridge provides a smooth transition for moving cargo to and from lift platform to vehicle bed.
- 4 LOW-PROFILE PUMP BOX**
Pump and motor housing fits compactly over the wheel well.
- 5 FLAT-LOADING TAPER**
Platform rests flat at ground level, minimizing load angle.



1



2



3



4




5

2-YEAR STANDARD WARRANTY

Available Models


Model Number	Load Area	Taper	Travel ²	Application	Gate Weight
1100 lb.	Framed Aluminum Platforms				
	V2-56-1145 FA49¹	47 x 49	9	45	A

Application Chart ¹

Manufacturer	Model Year	Body Style	Bracket Code	Application Code
GM/ BrightDrop® 	2024-2025	ZEVO 600 ²	18296	A

NOTES

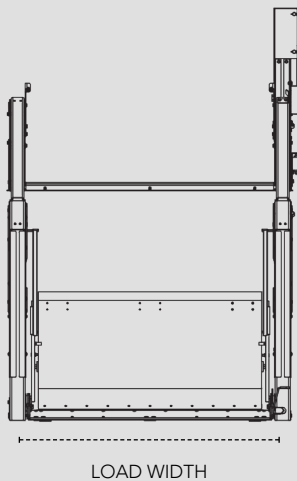
- Unladen bed-height cannot exceed 45" travel.
- GM-BrightDrop® mounting brackets intended for the BrightDrop ZEVO 600 only.

 - EV Compatible Application

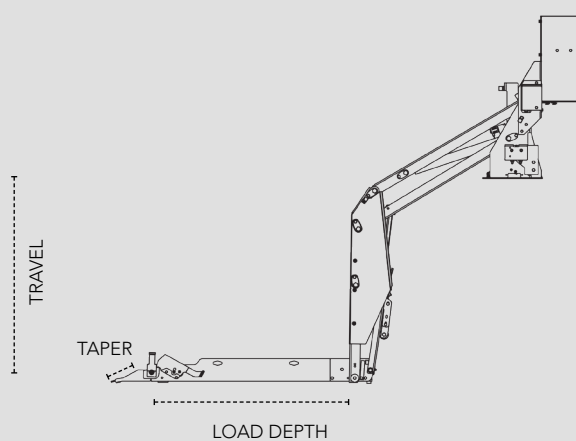
IMPORTANT

- V2 Series liftgates reduce the door opening height by 2" (from the metal floor).
- There are numerous truck configurations and body styles. Check the clearance of the liftgate with any bumpers or additional equipment on the back of the truck.

FRONT VIEW



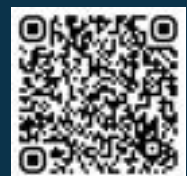
SIDE VIEW



THE TOMMY GATE® FACTORY IS PROUDLY LOCATED IN WOODBINE, IOWA, USA.



SCAN FOR MORE INFO



Woodbine Manufacturing Inc.
83 Bus Brown Drive
Woodbine, IA 51579

TOMMY GATE® LIFTGATES
(800) LIFTGATE
TOMMYGATE.COM