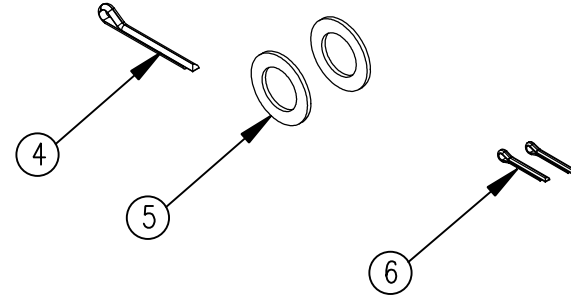
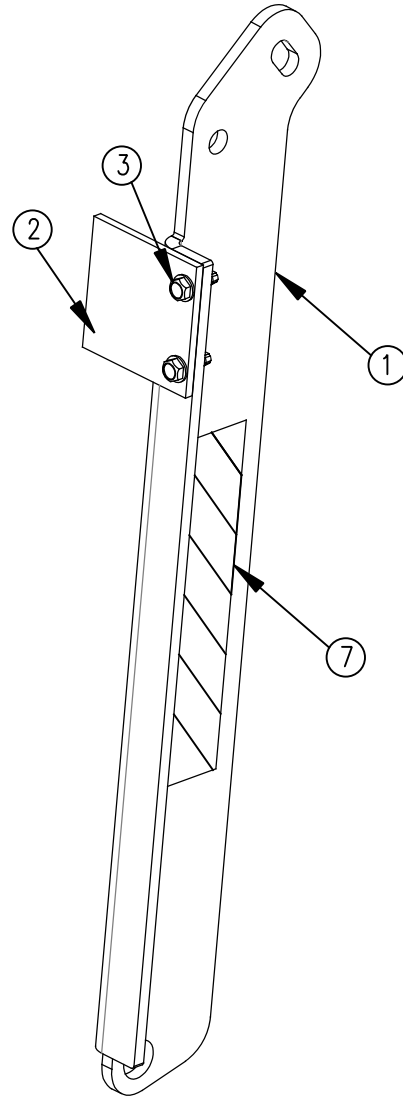


ITEM NO.	QTY.	PART NO.	DESCRIPTION
1	1	013978	.25"x4.67"x21.63"DROP CHAIN ARM BF RIGHT
2	1	013979	.18"x2.63"x2.63"RUBBER BELTING-BF
3	2	013980	1/4"-20x3/4" SS TY F HEX HD
4	1	004720	1/4"x2" COTTER PIN
5	2	000622	3/4"IDx1-1/4"OD FLAT WASHER (650) *ZP*
6	2	004721	1/8"x3/4" COTTER PIN
7	1	003081	WARNING TAPE DECAL
8	1	095201	BF FOLDING ARM REPLACEMENT INSTRUCTIONS



				THIRD ANGLE PROJECTION					WOODBINE MFG. CO. BUS BROWN DRIVE WOODBINE, IOWA 51579															
							SYMBOLY PER ANSI Y14.5		NOTES:															
				<table border="1"> <tr> <th>DECIMAL</th> <th>2PLC</th> <th>3PLC</th> </tr> <tr> <td>MACHINE SAW, DRILL</td> <td>.030</td> <td>.015</td> </tr> <tr> <td>SHEAR, PUNCH FORM</td> <td>.060</td> <td>.030</td> </tr> <tr> <td>TORCH, WELDING ROUGH CAST</td> <td>.090</td> <td>.060</td> </tr> </table>			DECIMAL	2PLC	3PLC	MACHINE SAW, DRILL	.030	.015	SHEAR, PUNCH FORM	.060	.030	TORCH, WELDING ROUGH CAST	.090	.060	DRAWN BY. AAS					
DECIMAL	2PLC	3PLC																						
MACHINE SAW, DRILL	.030	.015																						
SHEAR, PUNCH FORM	.060	.030																						
TORCH, WELDING ROUGH CAST	.090	.060																						
							DRAWN/DATE 3/10/16																	
									<small>THE INFORMATION HERE IS CONFIDENTIAL AND MUST NOT BE USED IN ANYWAY DETRIMENTAL TO THE INTEREST OF WOODBINE MFG.</small>															
A	3/10/16	RELEASED TO PRODUCTION		AAS	1593			TITLE REPLACEMENT FOLDING ARM KIT-RIGHT																
REV.	DATE	CHANGE RECORD		BY	APPVD	ECN	DRAFT 2"	ANGULAR ±1"	SCALE NTS	FIN. WT.	PART NO. 14683													